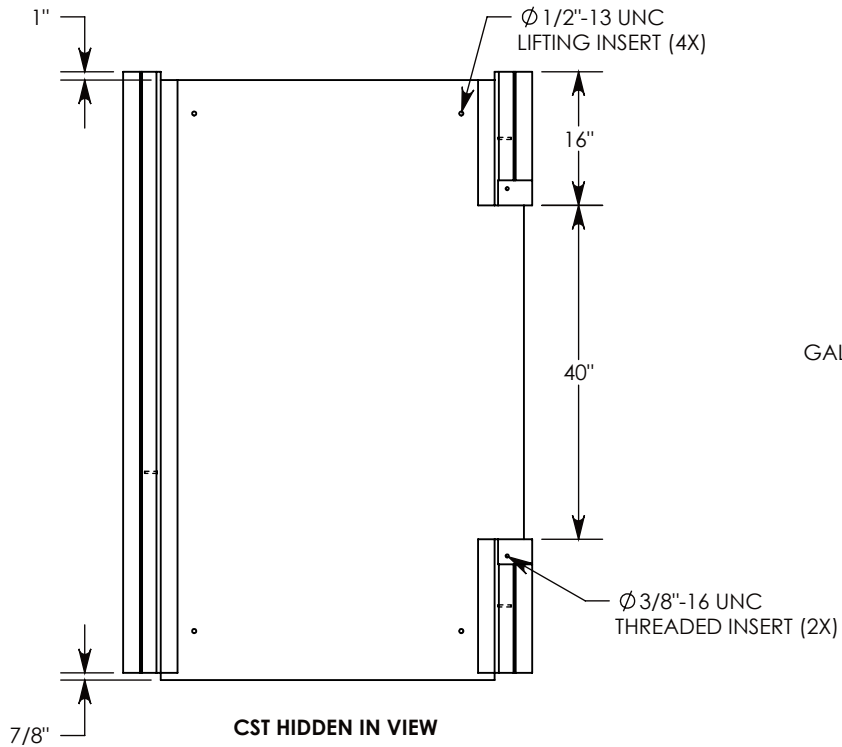


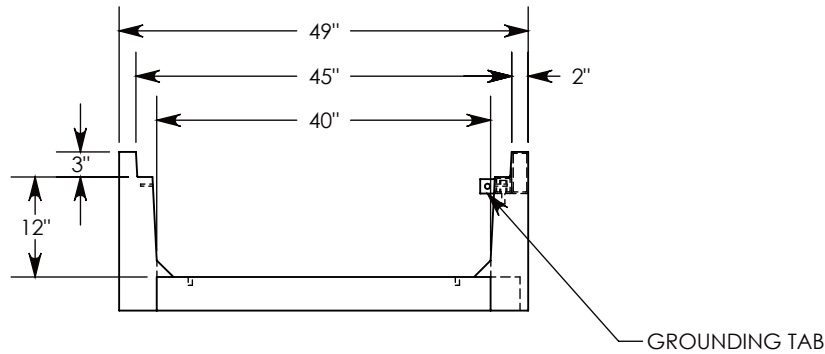
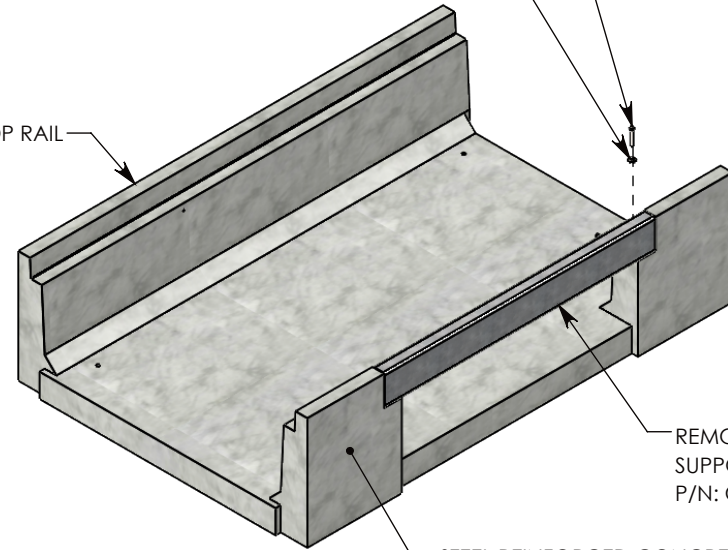
REV: A - TCJ 3/30/2018 - UPDATED TO NEW COVER SUPPORT RAIL
 REV. B - SIC - 7/22/2019 - UPDATED VIEWS, ANNOTATIONS, AND DIMENSIONS



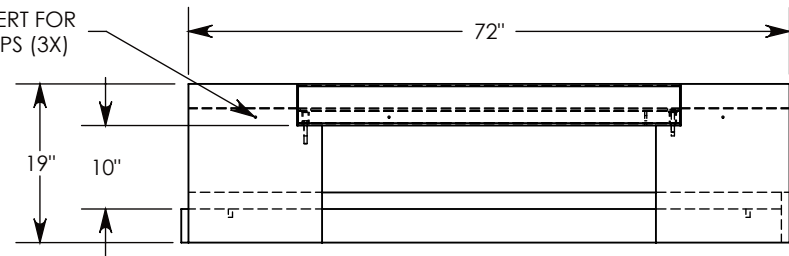
3/8-16 UNC X 2.50" LG HEX HD BOLT, GRADE 8
 P/N: HHB.38-2.5G8 QTY: 2

3/8" STD WASHER - 1" OD
 P/N: WSR.38-1 QTY: 2

GALV. STEEL TOP RAIL



Ø 1/4" INSERT FOR CABLE CLIPS (3X)



AASHTO H-20 RATED - 32,000 LB. SINGLE AXLE LOAD

DRAWN BY: ROSS LAGER	
CREATED DATE: 7/14/2008	REVISION LEVEL: B
SAVED DATE: 1/28/2020	SAVED BY: scallahan
WEIGHT: 1691 LBS.	MATERIAL: NOTED

1010 NORTH STAR DRIVE
 P.O. BOX 69
 ZUMBROTA, MN 55992-0069

DESCRIPTION:
HEAVY TRAFFIC UNIVERSAL CHANNEL

DIMENSIONS ARE IN INCHES
 TOLERANCES:
 FRACTIONAL: ± 1/8"
 ANGULAR: ± 2°

CONTACT INFORMATION:
 EMAIL: INFO@CONCASTINC.COM
 PHONE: (507) 732-4095
 FAX: (507) 732-4094

SHEET 1 OF 1

PART NUMBER:
8042HT3 (40X0)