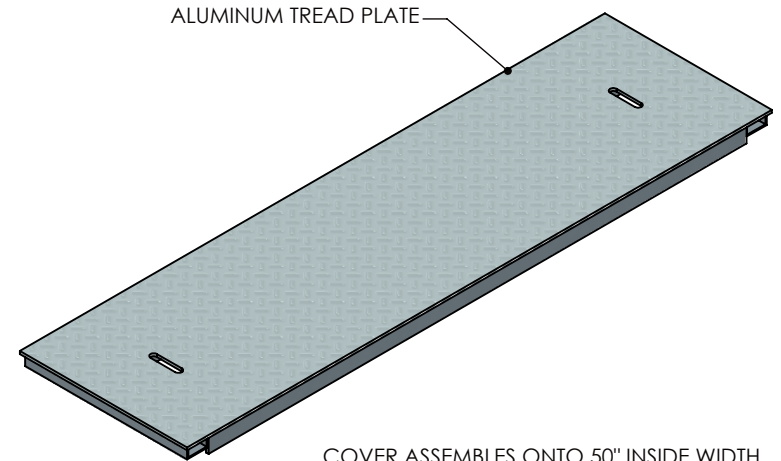
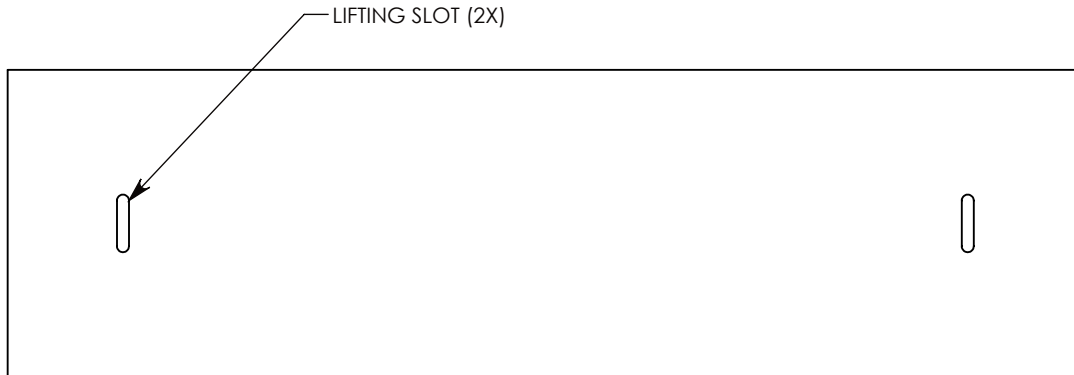
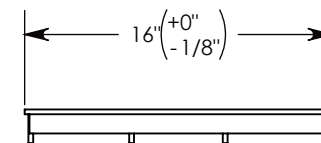
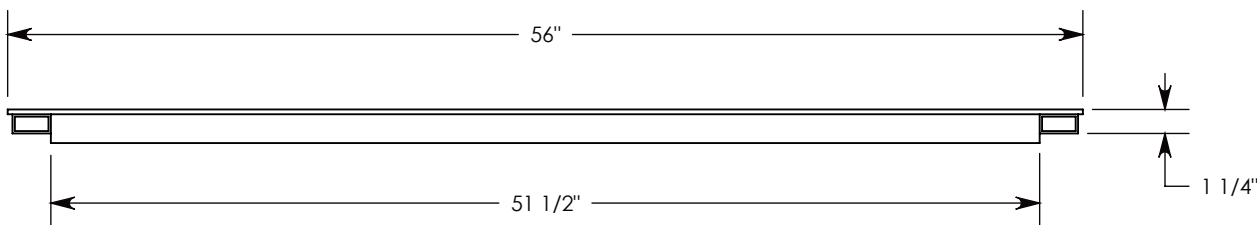


FIBERCRETE[®]
TRENCH
SYSTEM



COVER ASSEMBLES ONTO 50" INSIDE WIDTH
 PEDESTRIAN RATED CONCAST PT CHANNEL



NOTE: FOR NON-STANDARD LENGTHS THE PART NUMBER WILL
 CORRESPOND TO IT'S MEASURED LENGTH. IE: 8051PTAT 32'

PEDESTRIAN RATED - 200 LB. PER SQ. FOOT

DRAWN BY: ROBIN FLINT

DATE: 11/6/2015

REVISION LEVEL: 0

WEIGHT:

32 LBS.

MATERIAL:

WELDED ALUMINUM



1010 NORTH STAR DRIVE
 P.O. BOX 69
 ZUMBROTA, MN 55992-0069

DESCRIPTION:

PED RATED ALUMINUM PT COVER

DIMENSIONS ARE IN INCHES
 TOLERANCES:
 FRACTIONAL: $\pm 1/8"$
 ANGULAR: $\pm 2^\circ$

CONTACT INFORMATION:
 EMAIL: INFO@CONCASTINC.COM
 PHONE: (507) 732-4095
 FAX: (507) 732-4094

SHEET 1 OF 1

PART NUMBER:

8051PTAT