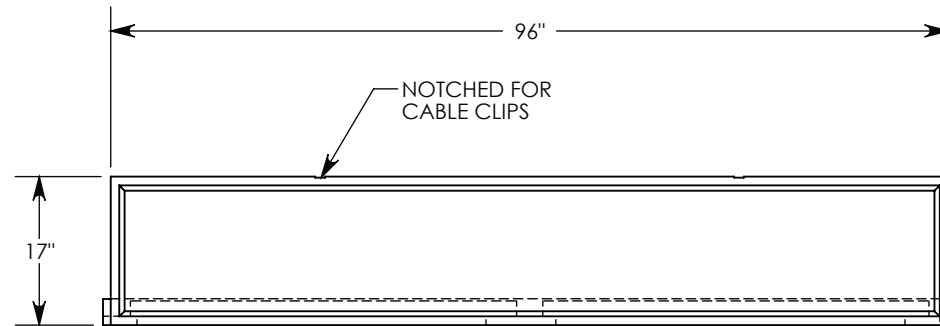
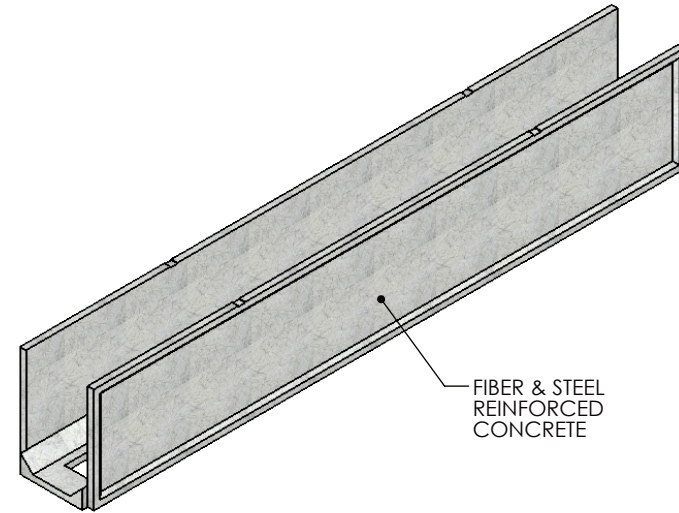
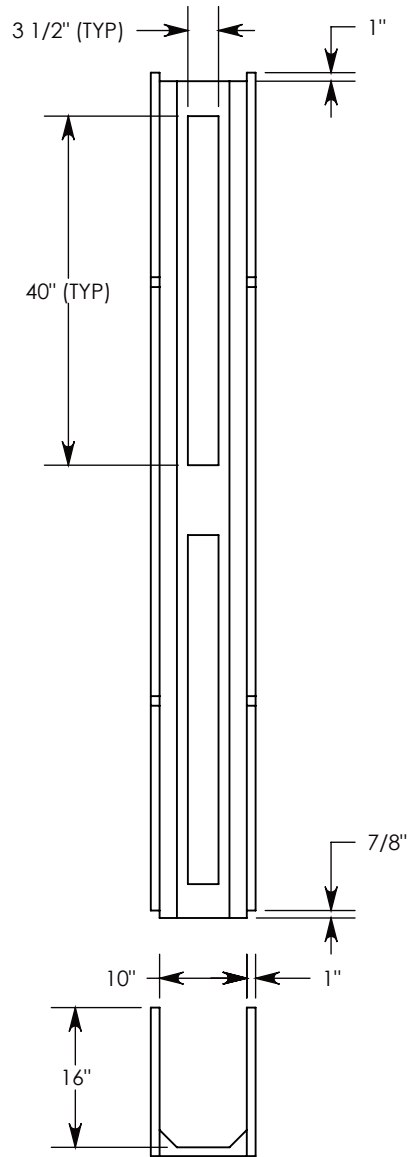


**FIBERCRETE<sup>®</sup>**  
**TRENCH**  
**SYSTEM**



NOTE: FOR NON-STANDARD LENGTHS THE CHANNEL WILL BE SOLID BOTTOM AND DESIGNATED WITH ITS CORRESPONDING LENGTH MEASUREMENT. IE: 881016 32"

PEDESTRIAN RATED - 200 LB. PER SQ. FOOT

<b>DRAWN BY: ROBIN FLINT</b>	
<b>DATE: 2/17/2017</b>	<b>REVISION LEVEL: 0</b>
<b>WEIGHT: 210 LBS.</b>	<b>MATERIAL: NOTED</b>



**CONCAST**  
 1010 NORTH STAR DRIVE  
 P.O. BOX 69  
 ZUMBROTA, MN 55992-0069

<b>DESCRIPTION:</b>		
<b>PEDESTRIAN CHANNEL</b>		
DIMENSIONS ARE IN INCHES TOLERANCES: FRACTIONAL: ± 1/8" ANGULAR: ± 2°	CONTACT INFORMATION: EMAIL: INFO@CONCASTINC.COM PHONE: (507) 732-4095 FAX: (507) 732-4094	SHEET 1 OF 1
<b>PART NUMBER: 881016</b>		