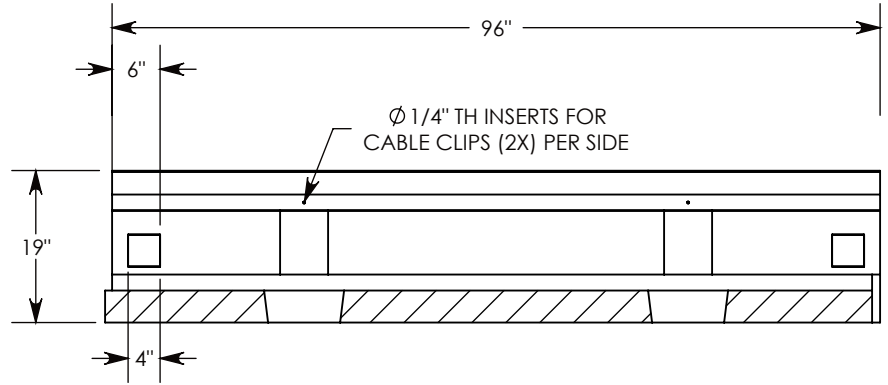
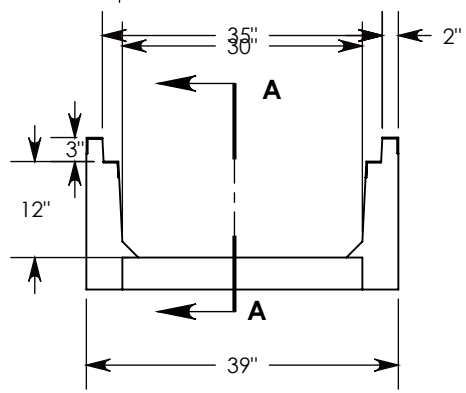
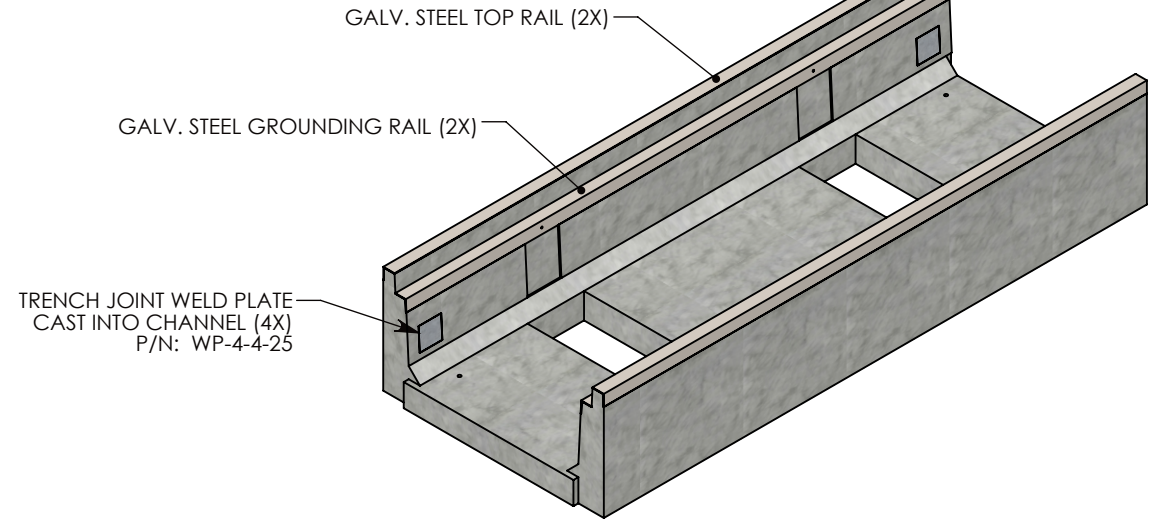
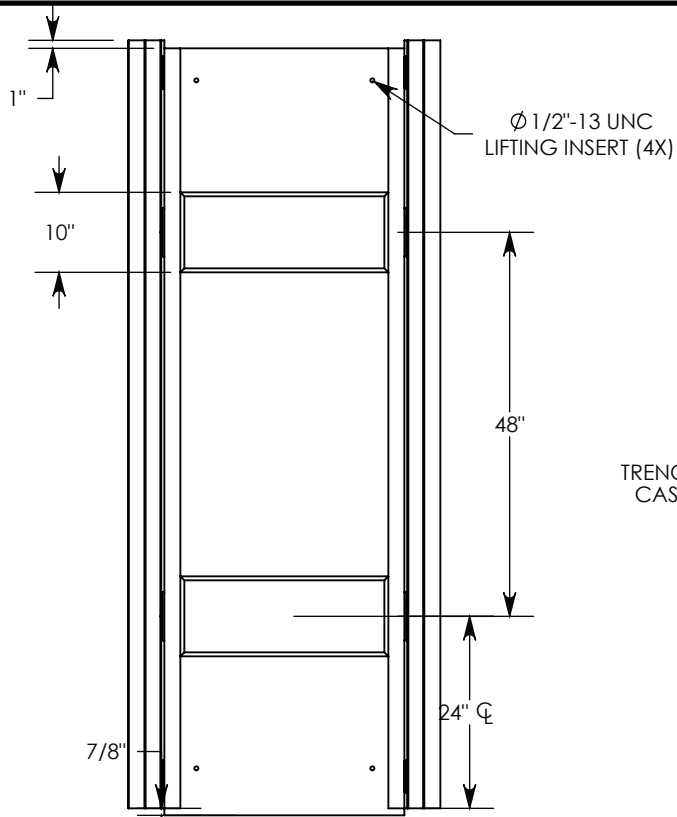


**FIBERCRETE<sup>®</sup>**  
**TRENCH**  
**SYSTEM**



**NOTE 1:** WELD STRAPS PURCHASED SEPARATELY. P/N: W-STRAP

MAX H-40 RATED - 64,000 LB. PER AXLE LOAD.  
DEPENDENT ON TRENCH COVER RATING

<b>DRAWN BY: ROBIN FLINT</b>	
<b>DATE: 7/15/2016</b>	<b>REVISION LEVEL: 0</b>
<b>WEIGHT: 2004 LBS.</b>	<b>MATERIAL: CONCRETE</b>

**CONCAST**  
1010 NORTH STAR DRIVE  
P.O. BOX 69  
ZUMBROTA, MN 55992-0069

<b>DESCRIPTION:</b> <b>HT3 CHANNEL W/EMBEDDED WELD PLATES</b>		SHEET 1 OF 1
DIMENSIONS ARE IN INCHES TOLERANCES: FRACTIONAL: ± 1/8" ANGULAR: ± 2°	CONTACT INFORMATION: EMAIL: INFO@CONCASTINC.COM PHONE: (507) 732-4095 FAX: (507) 732-4094	
<b>PART NUMBER:</b> <b>882016HT3-WP</b>		