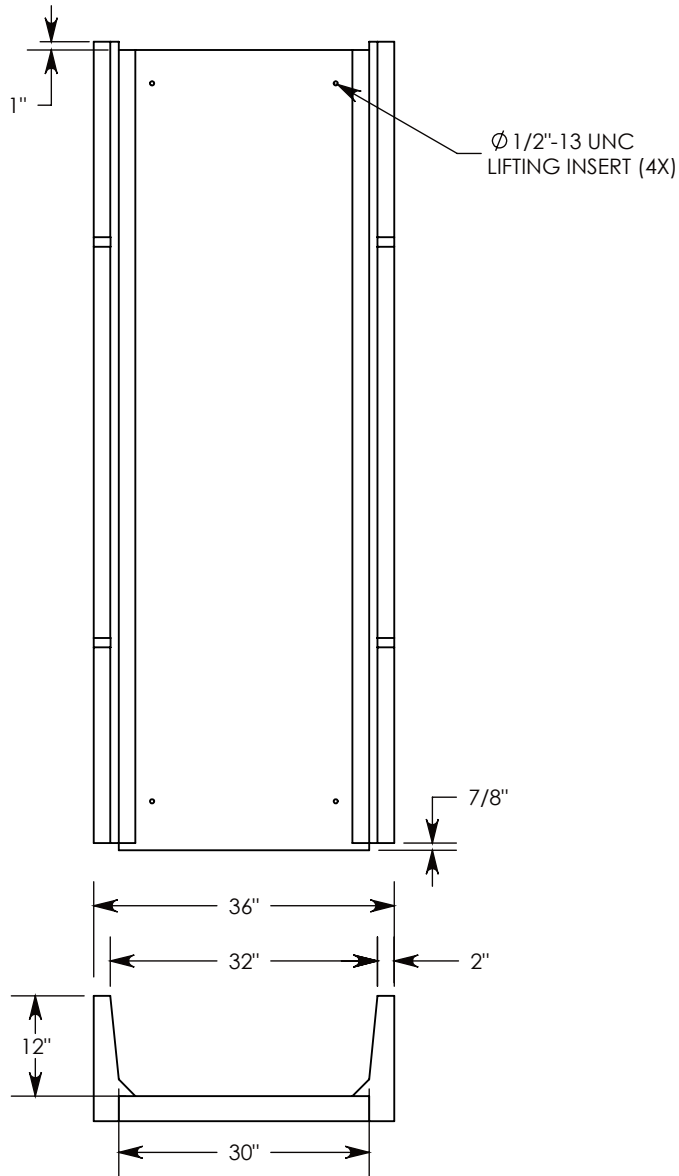
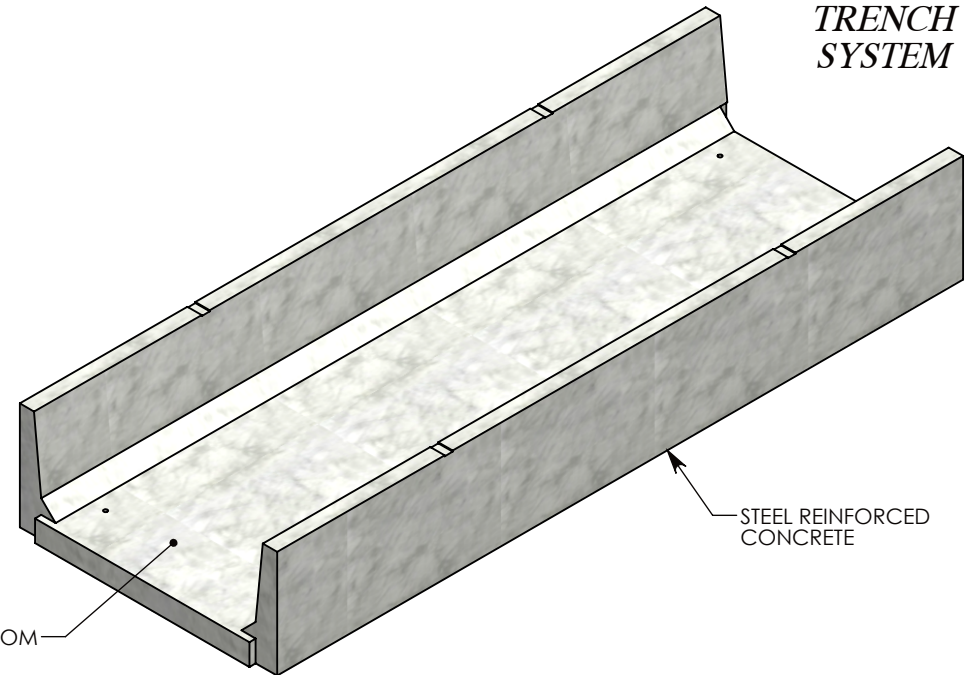


FIBERCRETE[®]
TRENCH
SYSTEM

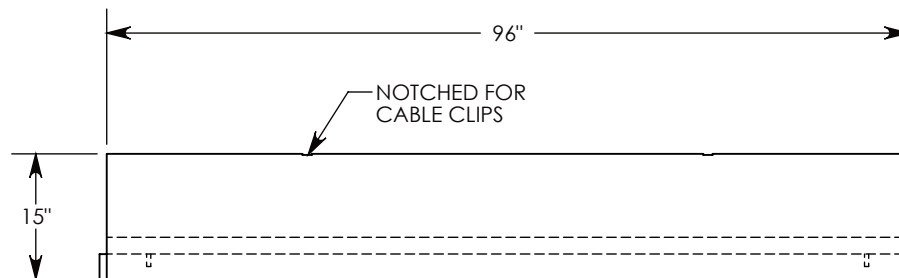


$\phi 1/2$ "-13 UNC
LIFTING INSERT (4X)



SOLID BOTTOM

STEEL REINFORCED
CONCRETE



NOTCHED FOR
CABLE CLIPS

NOTE: FOR NON-STANDARD LENGTHS THE CHANNEL WILL BE SOLID BOTTOM AND DESIGNATED WITH ITS CORRESPONDING LENGTH MEASUREMENT. IE: 8830PTSB 32"

PEDESTRIAN RATED - 200 LB. PER SQ. FOOT

DRAWN BY: ROBIN FLINT

DATE: 1/23/2015

REVISION LEVEL: 0

WEIGHT:

1367 LBS.

MATERIAL:

CONCRETE



DESCRIPTION:

PEDESTRIAN CHANNEL-SOLID BOTTOM

DIMENSIONS ARE IN INCHES
 TOLERANCES:
 FRACTIONAL: $\pm 1/8$ "
 ANGULAR: $\pm 2^\circ$

CONTACT INFORMATION:
 EMAIL: INFO@CONCASTINC.COM
 PHONE: (507) 732-4095
 FAX: (507) 732-4094

SHEET 1 OF 1

PART NUMBER:

8830PTSB