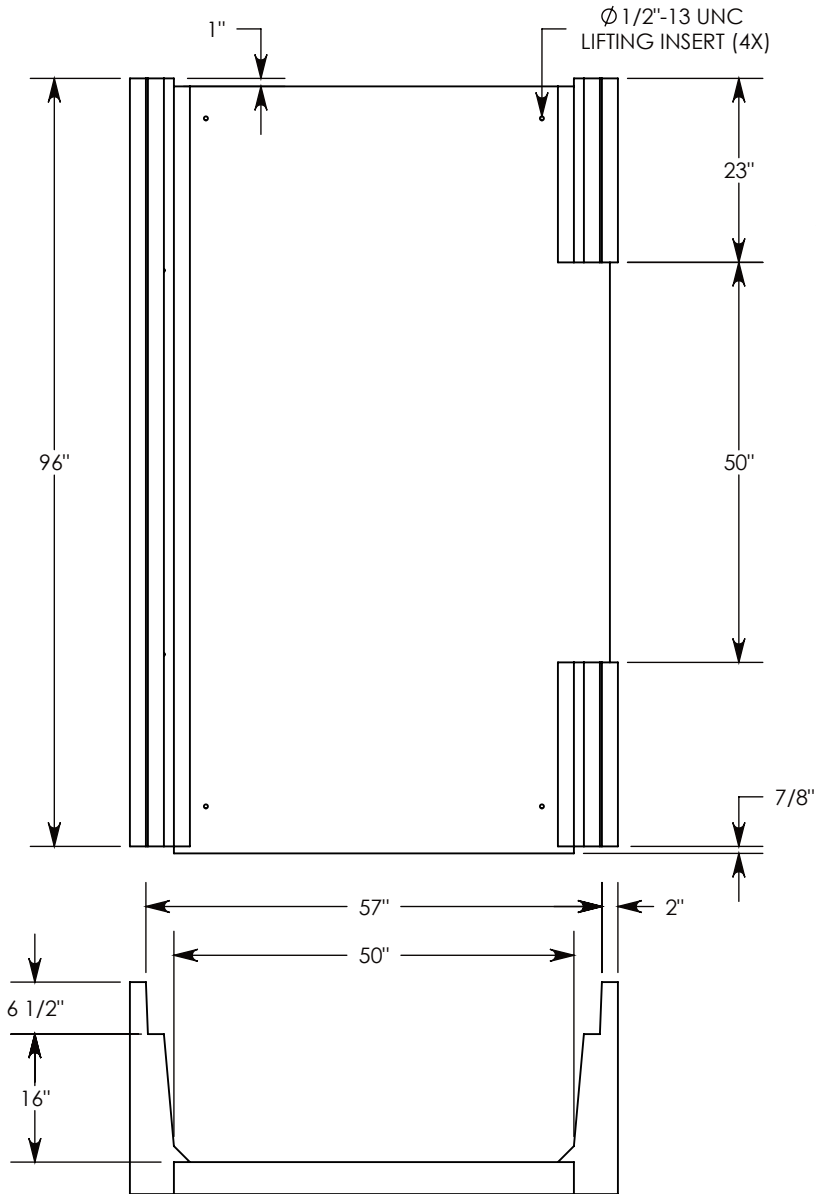
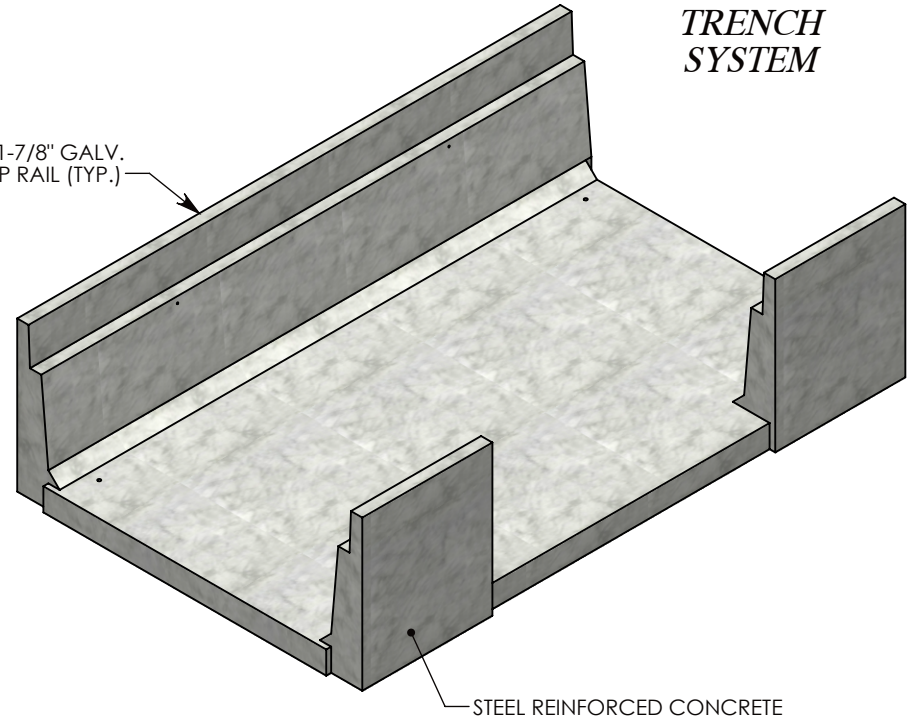


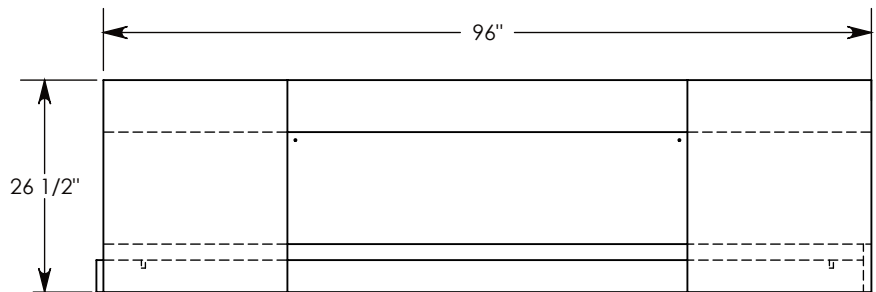
FIBERCRETE[®]
TRENCH SYSTEM



1-7/8" X 1-7/8" GALV.
STEEL TOP RAIL (TYP.)



STEEL REINFORCED CONCRETE



H-20 RATED - 32,000 LB. PER AXLE LOAD

DRAWN BY: BRIAN HOVLAND

DATE: 7/17/2015

REVISION LEVEL: 0

WEIGHT:

3005 LBS.

MATERIAL:

CONCRETE



1010 NORTH STAR DRIVE
P.O. BOX 69
ZUMBROTA, MN 55992-0069

DESCRIPTION:

HEAVY TRAFFIC UNIVERSAL CHANNEL

DIMENSIONS ARE IN INCHES
TOLERANCES:
FRACTIONAL: $\pm 1/8"$
ANGULAR: $\pm 2^\circ$

CONTACT INFORMATION:
EMAIL: INFO@CONCASTINC.COM
PHONE: (507) 732-4095
FAX: (507) 732-4094

SHEET 1 OF 1

PART NUMBER:

885216HT (50X0)