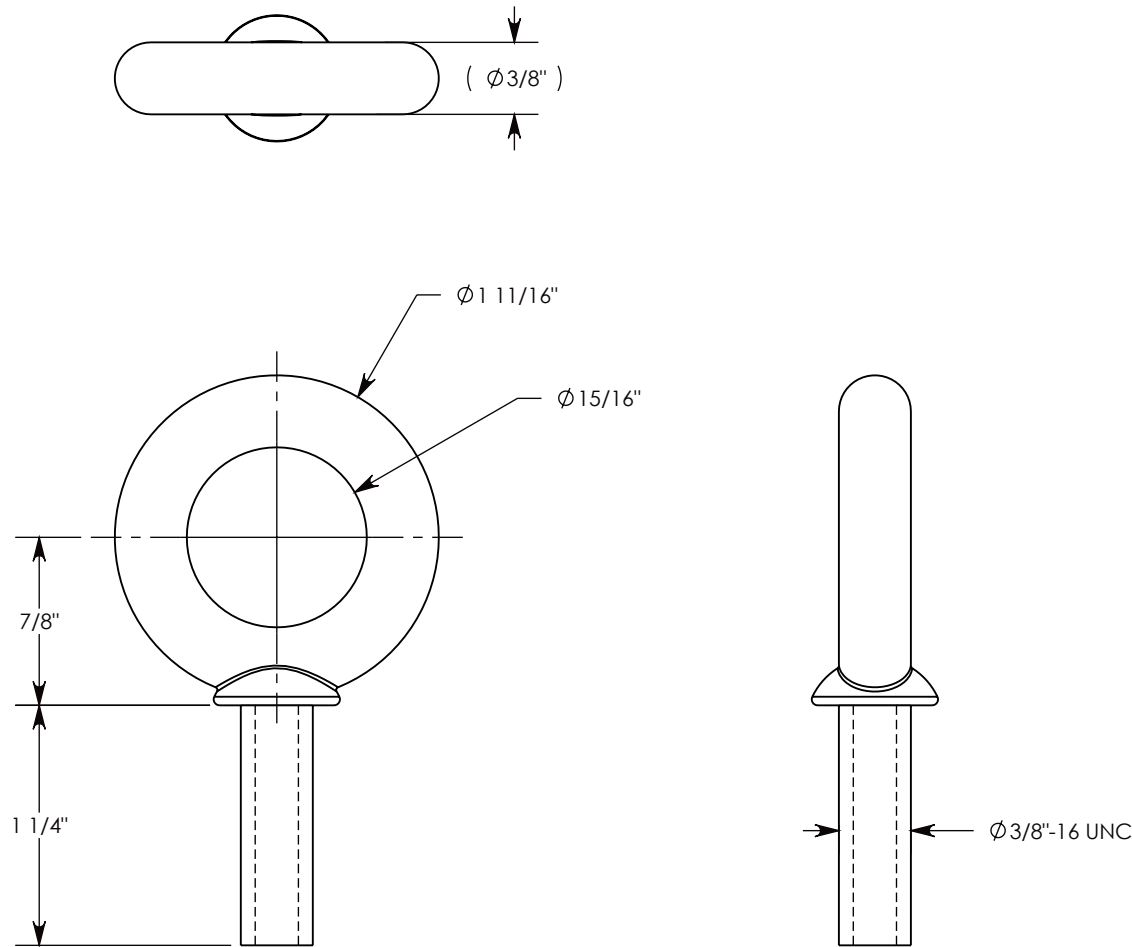


REV. A - BLT - 11/7/2022 - UPDATED THREAD NOTE TO READ "16 UNC" - WAS "13 UNC"
 REV. B - JCG - 7/27/2023 - UPDATED WORKING LOAD LIMIT



NOTE 1: EYE BOLT IS DESIGNED FOR USE WITH THE 8005 SERIES GUIDE POSTS FOR ATTACHING SAFETY CHAIN.
NOTE 2: WORKING LOAD LIMIT: 1,400 LBS

DRAWN BY: JESSE GUTTING	
CREATED DATE: 6/29/2010	REVISION LEVEL: B
SAVED DATE: 7/27/2023	SAVED BY: jgutting
WEIGHT: 0.2 LBS.	MATERIAL: Galvanized Steel

CONCAST
 1010 NORTH STAR DRIVE
 P.O. BOX 69
 ZUMBROTA, MN 55992-0069

DESCRIPTION: 3/8-16UNC GALV. THREADED EYE BOLT	
DIMENSIONS ARE IN INCHES TOLERANCES: FRACTIONAL: $\pm 1/8"$ ANGULAR: $\pm 2^\circ$	CONTACT INFORMATION: EMAIL: INFO@CONCASTINC.COM PHONE: (507) 732-4095 FAX: (507) 732-4094
PART NUMBER: 9001G	
SHEET 1 OF 1	