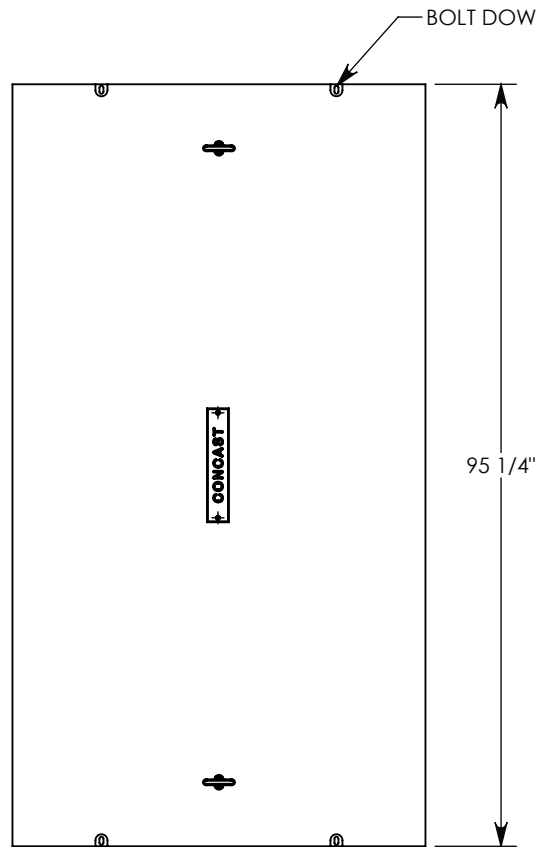
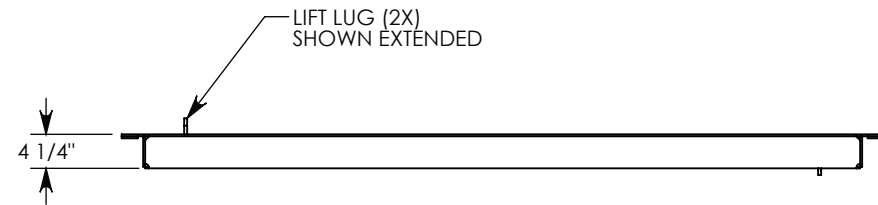
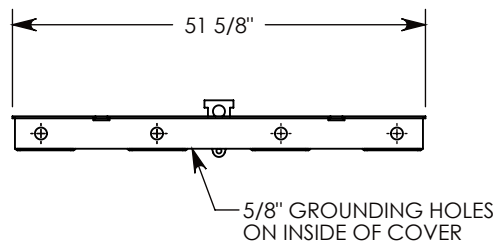
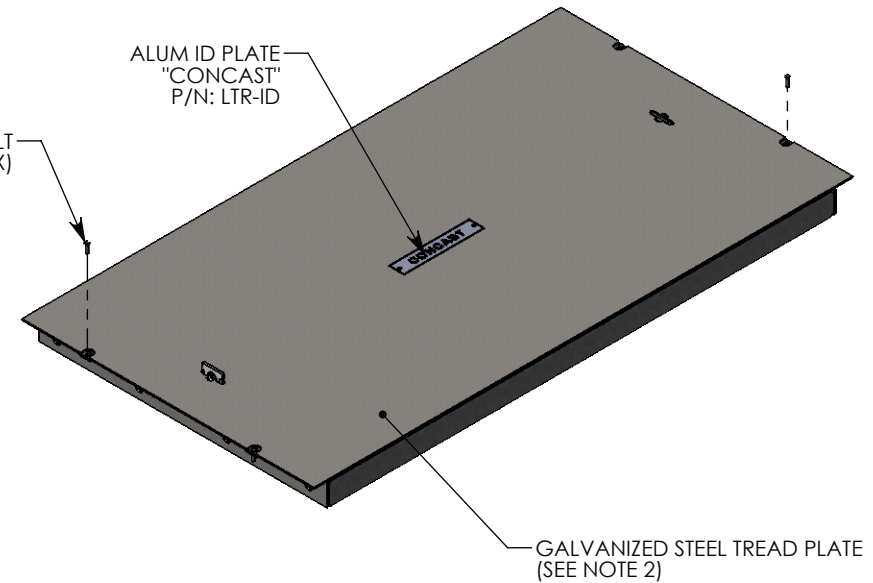


COVER ASSEMBLES ONTO
A 96" X 156" CONCAST PULL BOX



3/8-16 UNC X 1.5" LG HEX HD BOLT
P/N: HHB.38-1.5 (4X)



NOTE 1: FOR ADDED SECURITY, PENTA HEAD (P/N: PTA.38-1.5) OR SURELOCK BOLTS (P/N: SL.38-1.25) CAN BE ADDED
NOTE 2: TREAD ON DIAMOND PLATE ADDS 1/8" TO OVERALL HEIGHT

AASHTO H-20 RATED – 32,000 LB. SINGLE AXLE LOAD

DRAWN BY: JESSE GUTTING	
CREATED DATE: 12/2/2021	REVISION LEVEL: 0
SAVED DATE: 12/2/2021	SAVED BY: jgutting
WEIGHT: 692 LBS.	MATERIAL: WELDED GALV. STEEL



1010 NORTH STAR DRIVE
P.O. BOX 69
ZUMBROTA, MN 55992-0069

DESCRIPTION: GALV. STEEL PULL BOX COVER		SHEET 1 OF 2
DIMENSIONS ARE IN INCHES TOLERANCES: FRACTIONAL: ± 1/8" ANGULAR: ± 2°	CONTACT INFORMATION: EMAIL: INFO@CONCASTINC.COM PHONE: (507) 732-4095 FAX: (507) 732-4094	
PART NUMBER: 96-52-RSG		