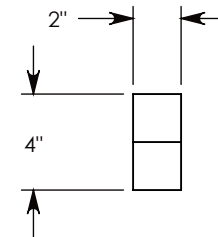
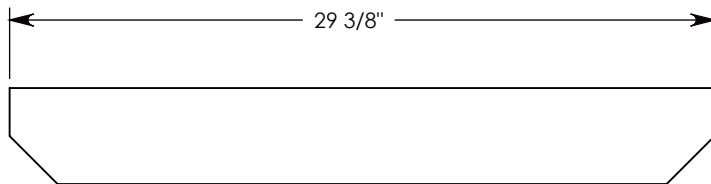
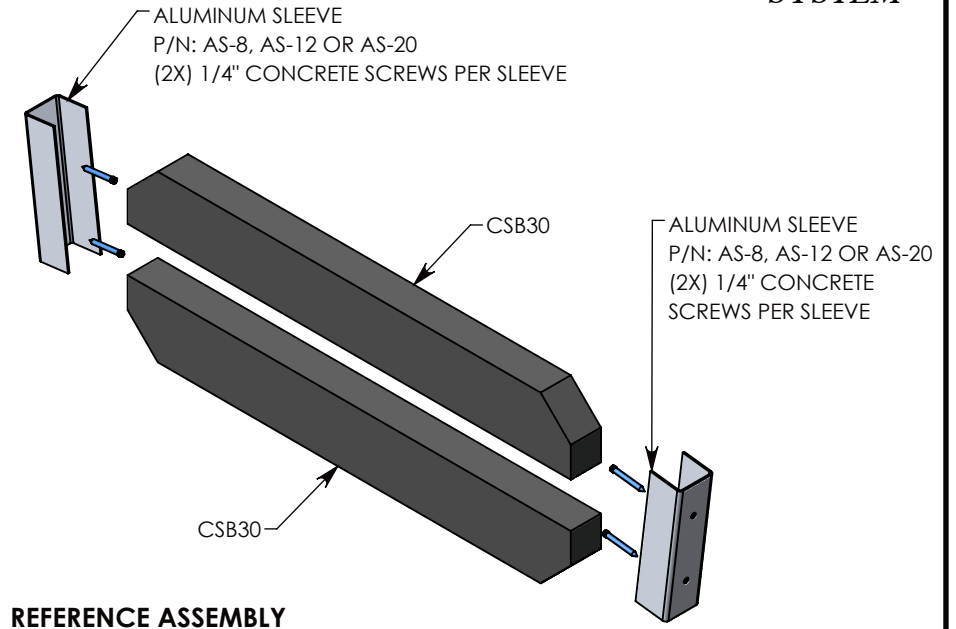


TRENCH SYSTEM



NOTE 1: FITS ALL STD. 30" INSIDE WIDTH TRENCH

DRAWN BY: ROSS LAGER

DATE: 10/5/2018

REVISION LEVEL: 0

WEIGHT:

3 LBS.

MATERIAL:

PE High Density



CONCAST
 1010 NORTH STAR DRIVE
 P.O. BOX 69
 ZUMBROTA, MN 55992-0069

DESCRIPTION:

CABLE SUPPORT BLOCK

DIMENSIONS ARE IN INCHES
 TOLERANCES:
 FRACTIONAL: ± 1/8"
 ANGULAR: ± 2°

CONTACT INFORMATION:
 EMAIL: INFO@CONCASTINC.COM
 PHONE: (507) 732-4095
 FAX: (507) 732-4094

SHEET 1 OF 1

PART NUMBER:

CSB30