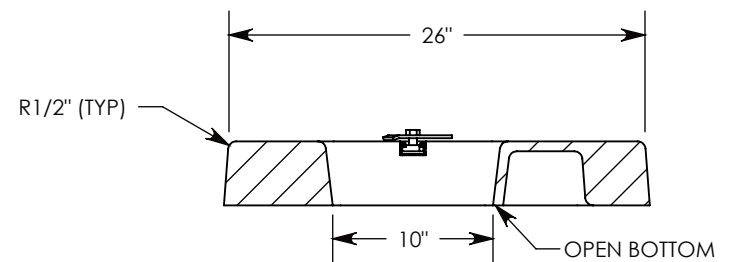
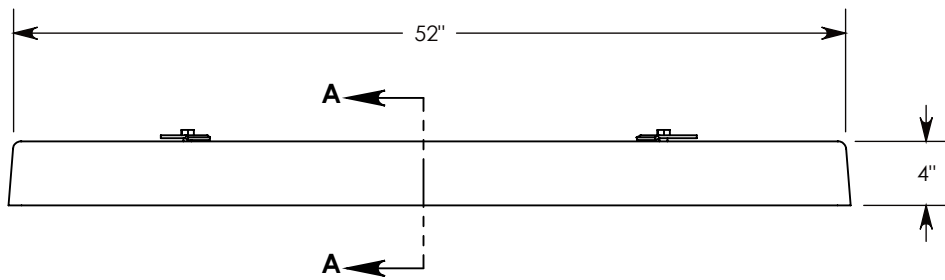
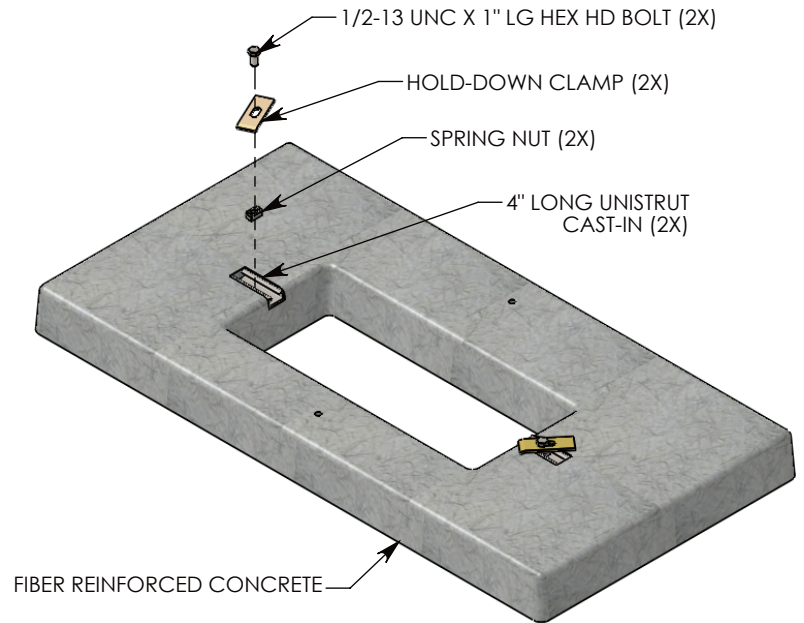
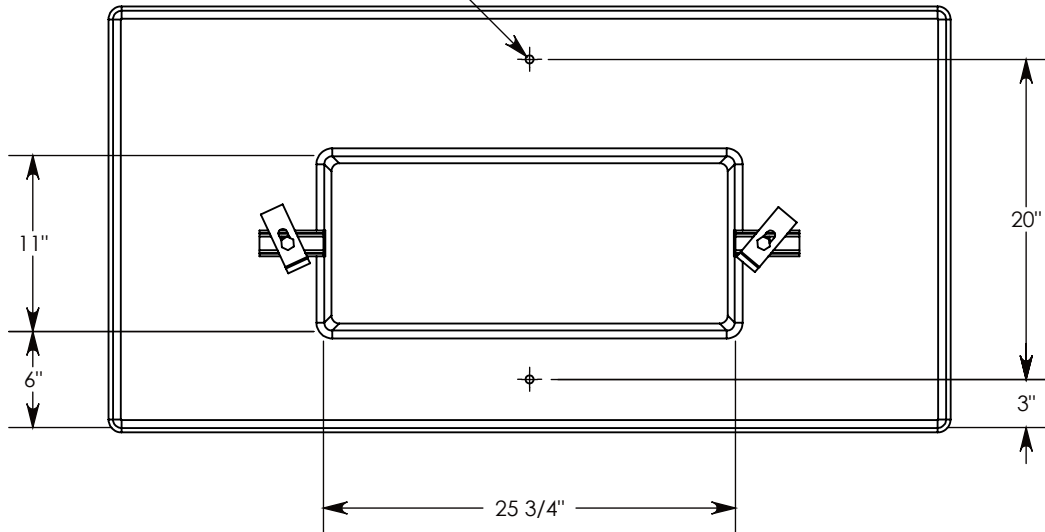


Ø 1/2"-13 UNC INSERTS FOR LIFTING (2X)
LOCATIONS MAY VARY



SECTION A-A

ALL VERTICAL SURFACES HAVE A 5 TO 7 DEGREE DRAFT
IF SPECIFIC INSERTS OR MOUNTING HARDWARE ARE REQUIRED, PLEASE SPECIFY WHEN ORDERING.

DRAWN BY: ROBIN FLINT	
DATE: 7/7/2014	REVISION LEVEL: 0
WEIGHT: 138 LBS.	MATERIAL: FIBERCRETE



CONCAST
1010 NORTH STAR DRIVE
P.O. BOX 69
ZUMBROTA, MN 55992-0069

DESCRIPTION:		
FIBERCRETE FLAT PAD		
DIMENSIONS ARE IN INCHES TOLERANCES: FRACTIONAL: ± 1/8" ANGULAR: ± 2°	CONTACT INFORMATION: EMAIL: INFO@CONCASTINC.COM PHONE: (507) 732-4095 FAX: (507) 732-4094	SHEET 1 OF 1
PART NUMBER:		
FC-26-52-4-1126 (6)		