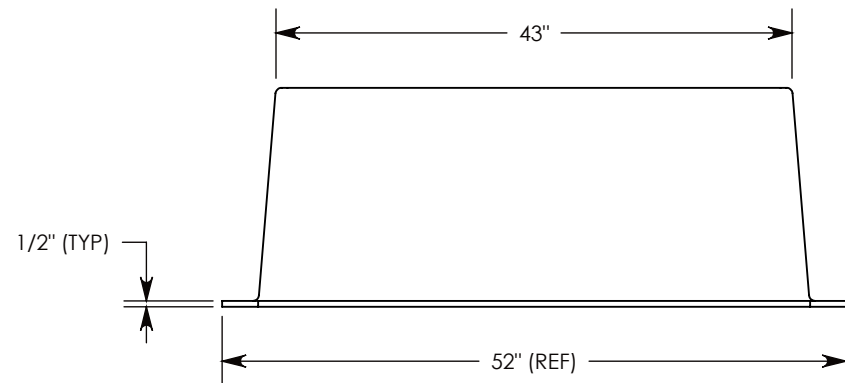
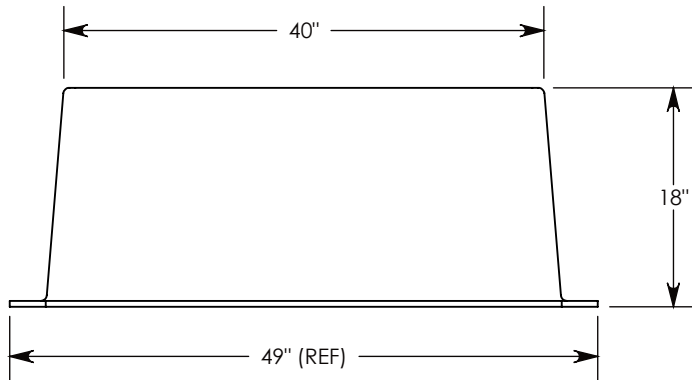
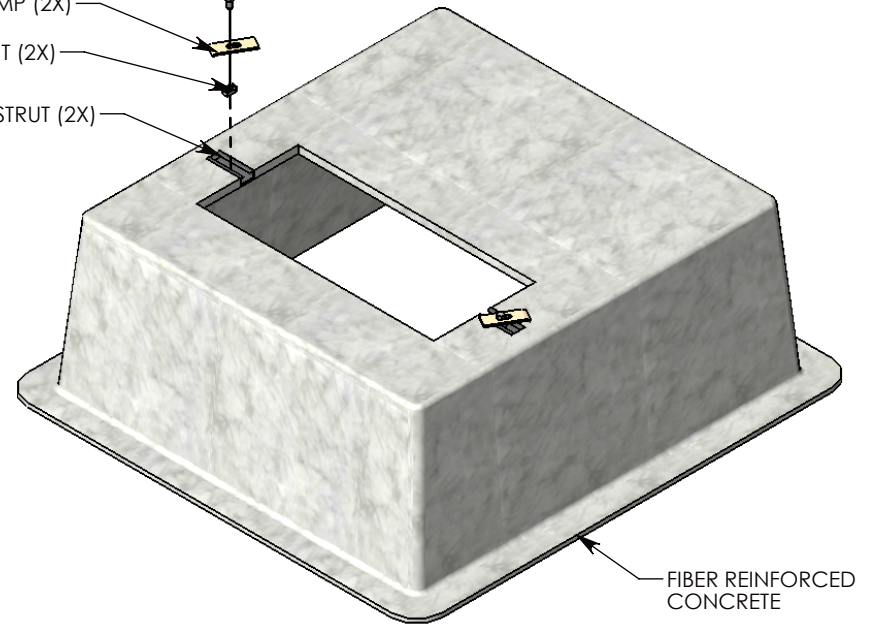


1/2"-13 UNC X 3/4" HH BOLT (2X)

HDC-1 HOLD DOWN CLAMP (2X)

SPRING NUT (2X)

4" LONG UNISTRUT (2X)



DRAWN BY: COLIN HORTOP

DATE: 5/16/2012

REVISION LEVEL: 0

WEIGHT:

201 LBS.

MATERIAL:

FIBERCRETE



DESCRIPTION:

FIBERCRETE PAD BOX

DIMENSIONS ARE IN INCHES
TOLERANCES:
FRACTIONAL: ± 1/8"
ANGULAR: ± 2°

CONTACT INFORMATION:
EMAIL: INFO@CONCASTINC.COM
PHONE: (507) 732-4095
FAX: (507) 732-4094

SHEET 1 OF 1

PART NUMBER:

FC-40-43-18-2812 (8)