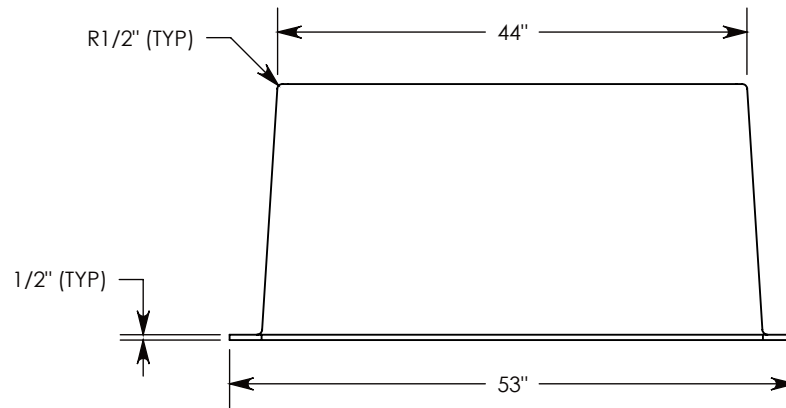
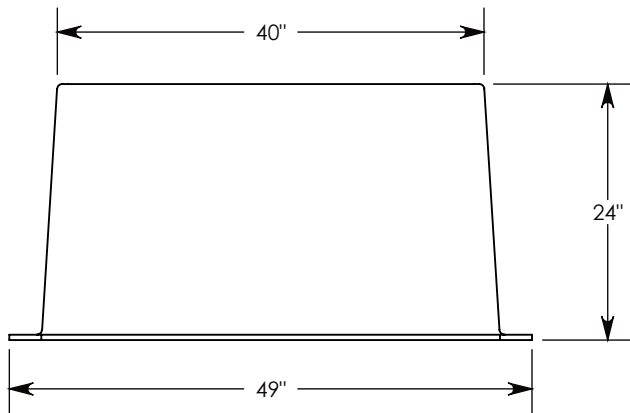
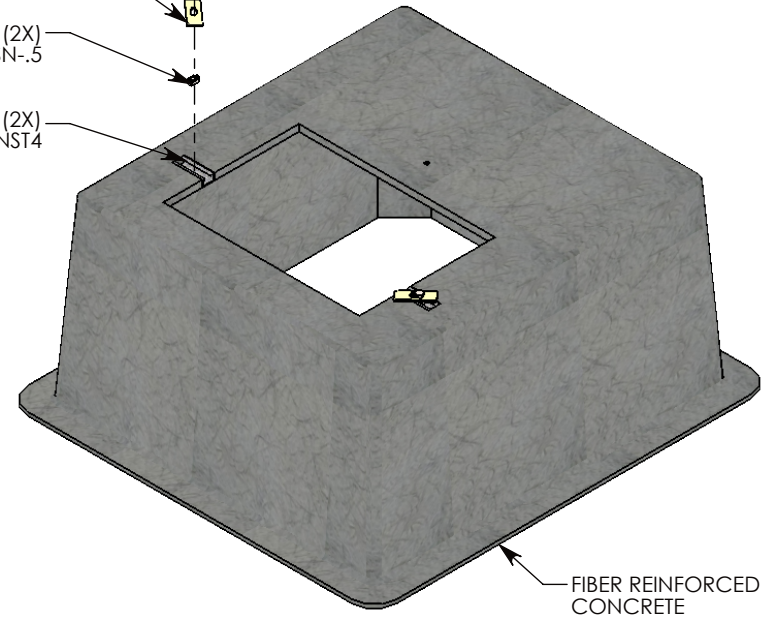


- 1/2-13 UNC X 1" LG HEX HD BOLT (2X)  
P/N: HHB.5-1
- 4" HOLD-DOWN CLAMP (2X)  
P/N: HDC-1
- 1/2-13 UNC SPRING NUT (2X)  
P/N: USN-.5
- 4" LONG X 7/8" DEEP UNISTRUT (2X)  
P/N: UNST4



**DRAWN BY: ROBIN FLINT**

**DATE: 8/1/2017**

**REVISION LEVEL: 0**

**WEIGHT:**

**320 LBS.**

**MATERIAL:**

**FIBERCRETE FC**

**CONCAST**  
 1010 NORTH STAR DRIVE  
 P.O. BOX 69  
 ZUMBROTA, MN 55992-0069

**DESCRIPTION:**

**FIBERCRETE BOX PAD**

DIMENSIONS ARE IN INCHES  
 TOLERANCES:  
 FRACTIONAL:  $\pm 1/8"$   
 ANGULAR:  $\pm 2^\circ$

CONTACT INFORMATION:  
 EMAIL: INFO@CONCASTINC.COM  
 PHONE: (507) 732-4095  
 FAX: (507) 732-4094

SHEET 1 OF 1

**PART NUMBER:**

**FC-40-44-24-2618 (5)**