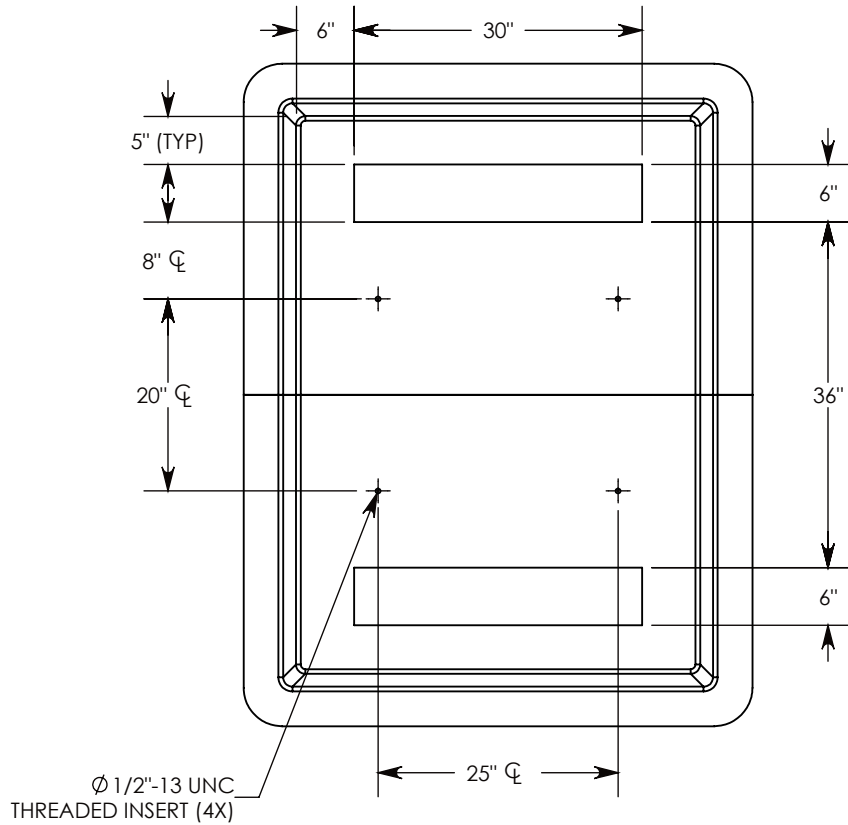
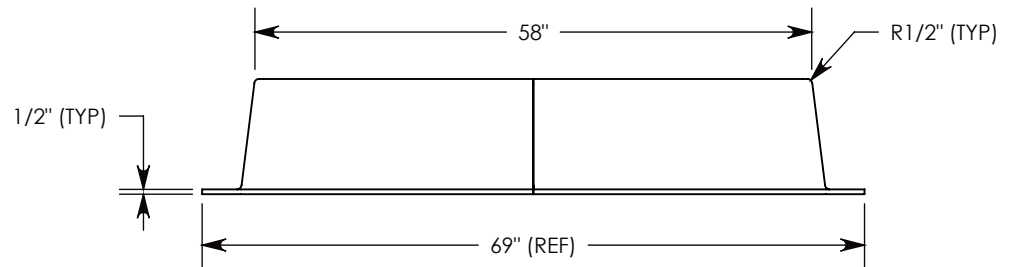
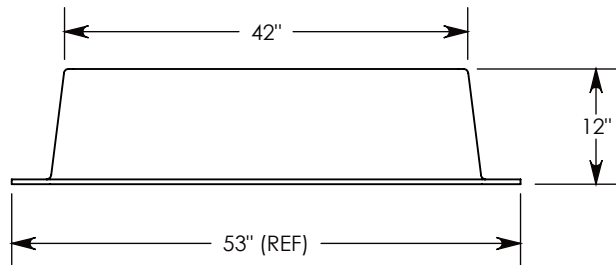
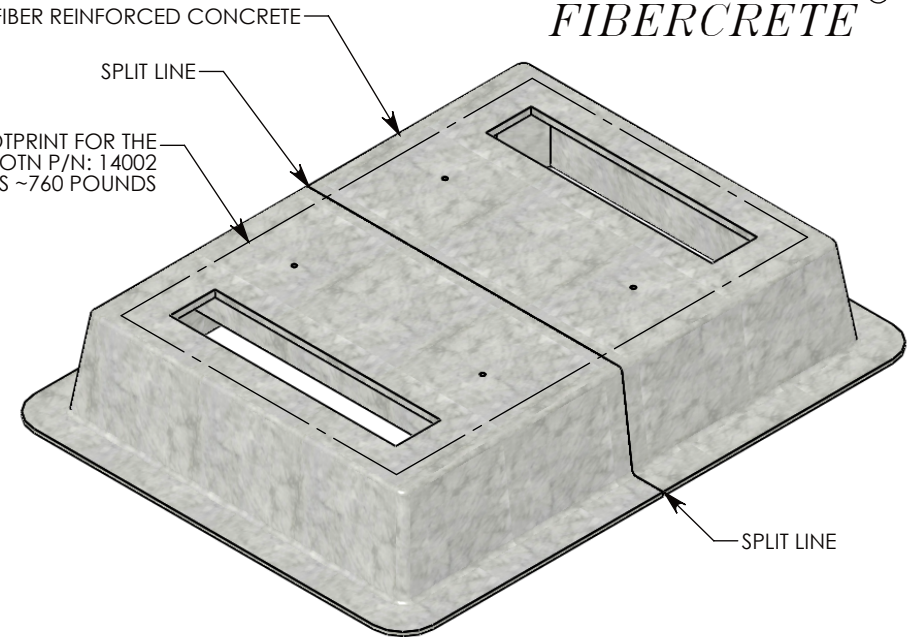


FIBERCRETE®



CABINET FOOTPRINT FOR THE
2 BAY OTN P/N: 14002
WEIGHS ~760 POUNDS



NOTES:
SPLIT BOXES ARE MADE IN TWO HALVES; ADHERED, SEALED, BOLTED TOGETHER AT THE FACTORY, AND SHIPPED AS ONE UNIT.
TREATED WOOD 4X4'S ARE OCCASIONALLY USED TO DISTRIBUTE BACKFILL AND GROUND SOIL PRESSURES

DRAWN BY: ROBIN FLINT	
DATE: 4/19/2012	REVISION LEVEL: 0
WEIGHT: 362 LBS.	MATERIAL: FIBERCRETE

CONCAST
1010 NORTH STAR DRIVE
P.O. BOX 69
ZUMBROTA, MN 55992-0069

DESCRIPTION: FIBERCRETE BOX PAD		
DIMENSIONS ARE IN INCHES TOLERANCES: FRACTIONAL: ± 1/8" ANGULAR: ± 2°	CONTACT INFORMATION: EMAIL: INFO@CONCASTINC.COM PHONE: (507) 732-4095 FAX: (507) 732-4094	SHEET 1 OF 1
PART NUMBER: FC-42-58-12-OTN2		