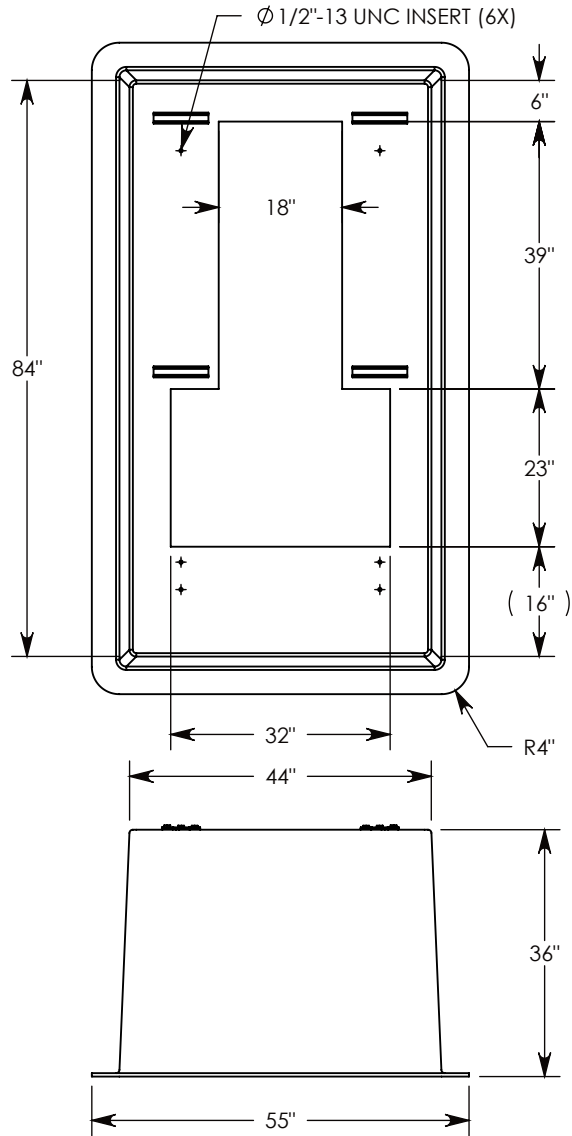
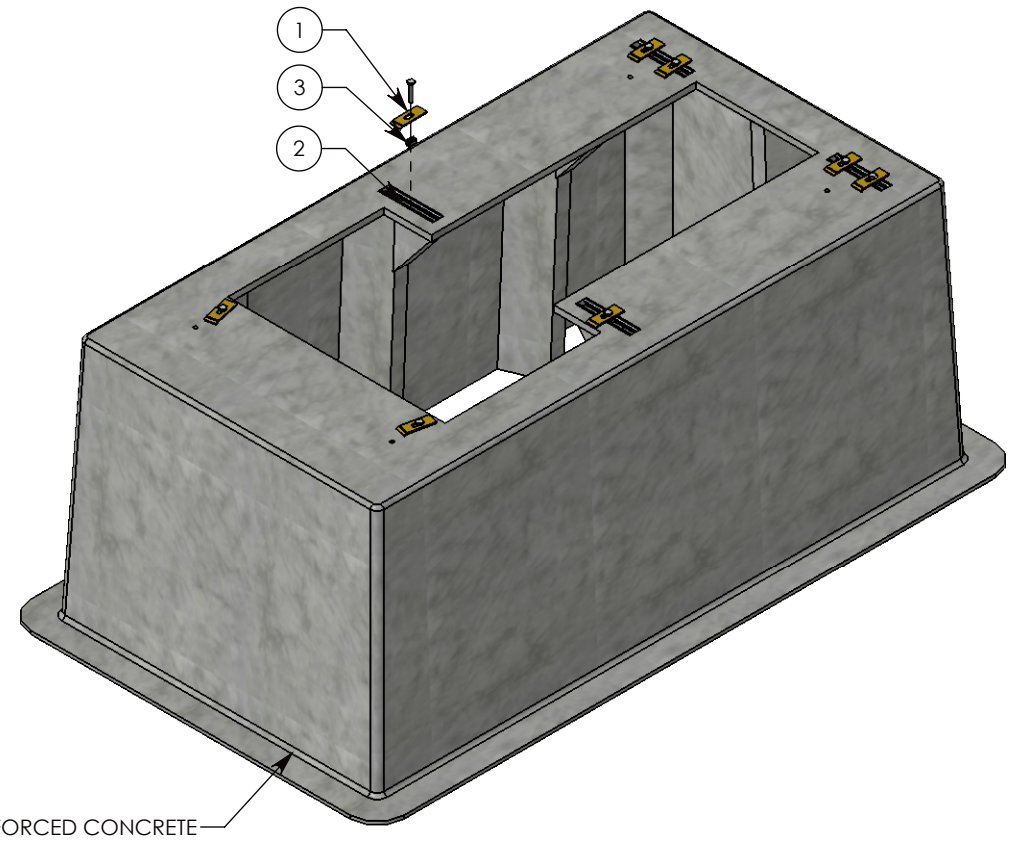


REV. A - JCG - 11/4/2020 - UPDATED REAR OPENING TO 18" FROM 16"



ITEM NO.	PART NUMBER	DESCRIPTION	QTY.
1	HDC-1	4" HOLD-DOWN CLAMP	8
2	UNST8W	8" WELDED 1-5/8" X 7/8" GALV. STL. UNISTRUT	4
3	USN-.5	1/2-13 UNC SPRING NUT	6
5	PTA.5-1	1/2-13 UNC X 1" LG PENTA HD BOLT	2
6	PTA.38-2.5	3/8-16 UNC X 2-1/2" LG PENTA HD BOLT	6



NOTE 1: FITS THE FOLLOWING VISTA ENCLOSURE SIZES 39" X 71" - 39" X 75" - 44"x71" - 44" x 75"
NOTE 2: THE FRONT 2 INSERTS ARE ONLY USED FOR 71" DEEP VISTA ENCLOSURES
NOTE 3: 8 HOLD DOWN CLAMPS (HDC) W/ BOLTS WILL BE PROVIDED

DRAWN BY: JESSE GUTTING	
CREATED DATE: 7/31/2020	REVISION LEVEL: A
SAVED DATE: 11/4/2020	SAVED BY: jgutting
WEIGHT: 740 LBS.	MATERIAL: NOTED



1010 NORTH STAR DRIVE
P.O. BOX 69
ZUMBROTA, MN 55992-0069

DESCRIPTION: FIBERCRETE VISTA BOX PAD		SHEET 1 OF 1
DIMENSIONS ARE IN INCHES TOLERANCES: FRACTIONAL: ± 1/8" ANGULAR: ± 2°	CONTACT INFORMATION: EMAIL: INFO@CONCASTINC.COM PHONE: (507) 732-4095 FAX: (507) 732-4094	
PART NUMBER: FC-44-84-36-V		