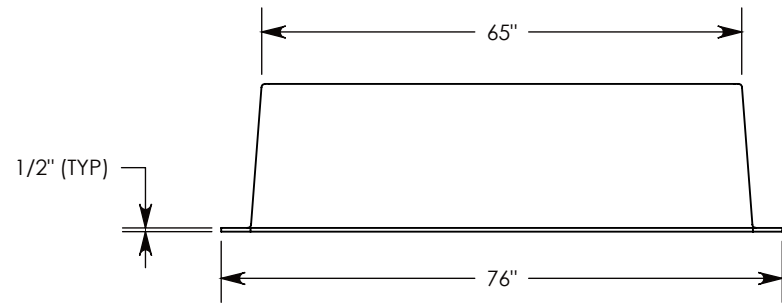
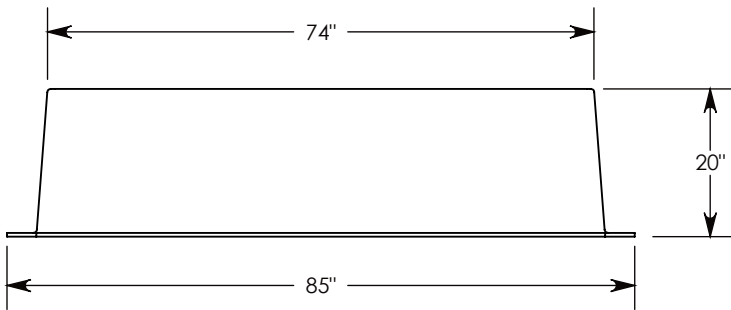
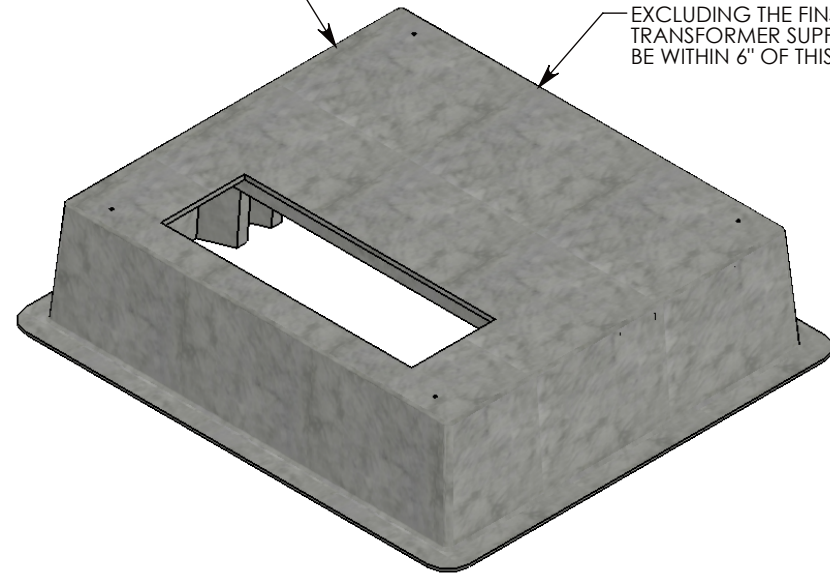
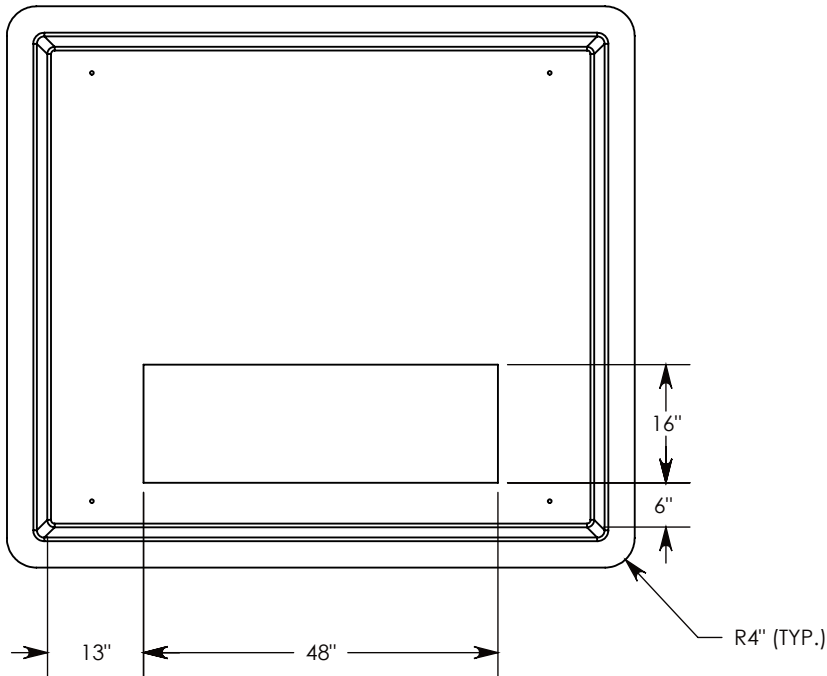


FIBERCRETE[®]

FIBER REINFORCED CONCRETE

EXCLUDING THE FINIS, THE REAR TRANSFORMER SUPPORT MUST BE WITHIN 6" OF THIS EDGE.



Ø 1/2"-13 UNC LIFTING INSERTS WILL BE CAST INTO BOX PAD
IF SPECIFIC INSERTS OR MOUNTING HARDWARE ARE REQUIRED, PLEASE SPECIFY WHEN ORDERING.

| | | | | |
|--------------------------------|--------------------------|---|--|--|
| DRAWN BY: JESSE GUTTING | |  1010 NORTH STAR DRIVE P.O. BOX 69 ZUMBROTA, MN 55992-0069 | DESCRIPTION: | |
| DATE: 9/25/2017 | REVISION LEVEL: 0 | | FIBERCRETE PAD BOX | |
| WEIGHT: | MATERIAL: | | DIMENSIONS ARE IN INCHES TOLERANCES: FRACTIONAL: ± 1/8" ANGULAR: ± 2° | CONTACT INFORMATION: EMAIL: INFO@CONCASTINC.COM PHONE: (507) 732-4095 FAX: (507) 732-4094 |
| 951 LBS. | FIBERCRETE FC | PART NUMBER: | | |
| | | FC-65-74-20-1648(6) | | |