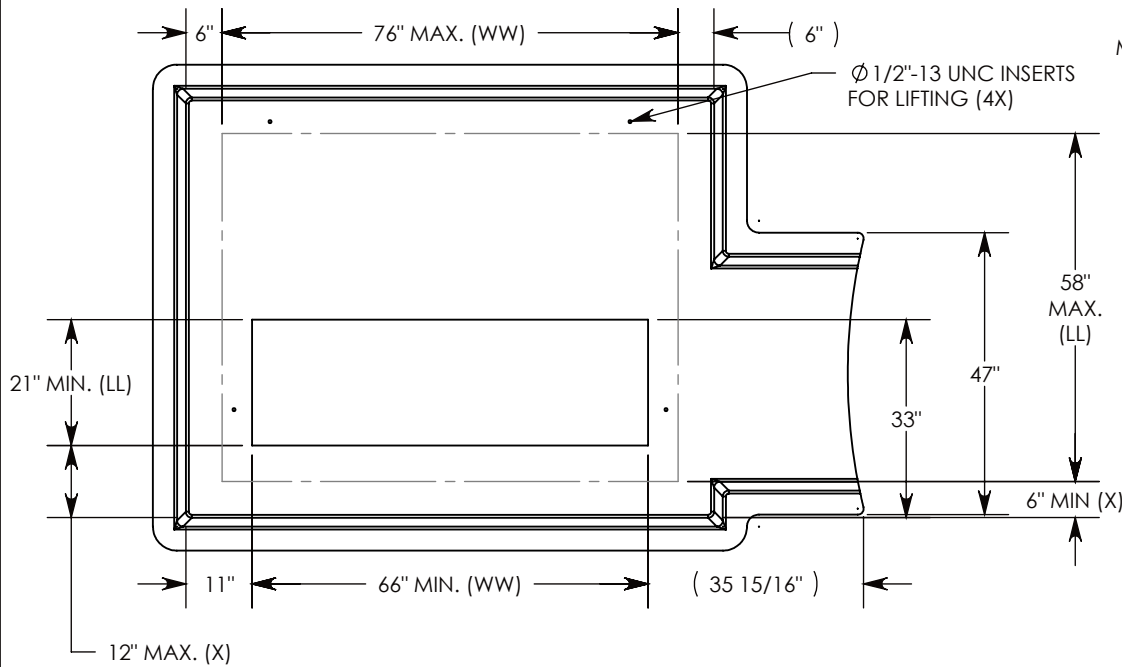


REV. A - SIC - 5/31/2019 - ADDED WEIGHT

REV. B - SIC - 6/4/2019 - UPDATED ANNOTATIONS, DIMENSIONS, AND VIEWS

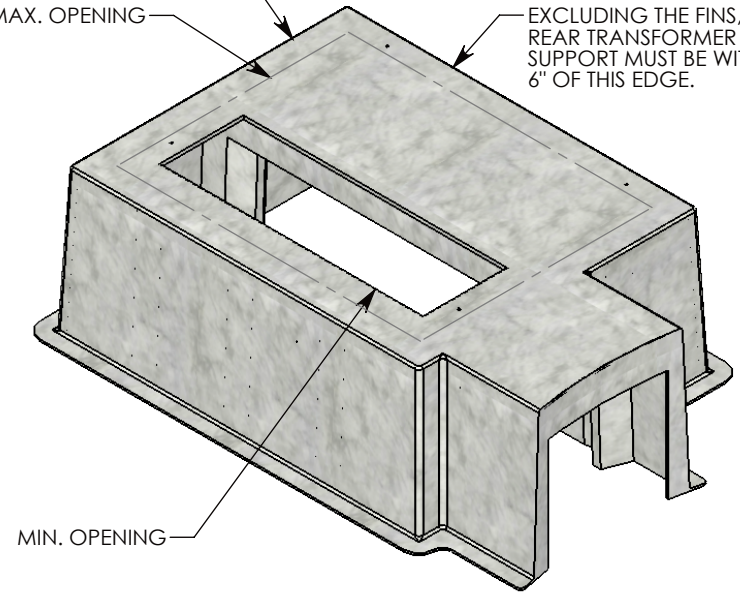


FIBER REINFORCED CONCRETE

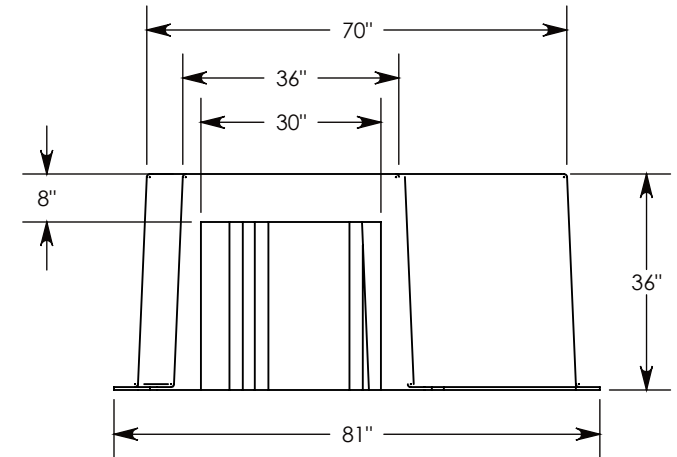
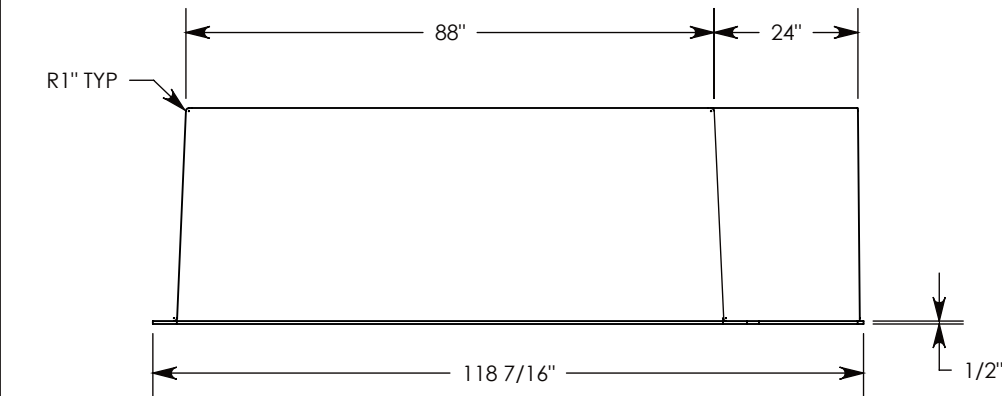
FIBERCRETE®

MAX. OPENING

EXCLUDING THE FIN'S, THE REAR TRANSFORMER SUPPORT MUST BE WITHIN 6" OF THIS EDGE.



MIN. OPENING



Ø 1/2"-13 UNC LIFTING INSERTS WILL BE CAST INTO BOX PAD
 IF SPECIFIC INSERTS OR MOUNTING HARDWARE ARE REQUIRED, PLEASE SPECIFY WHEN ORDERING.
 PART NUMBER IS BASED ON OPENING SIZE. IE: THE SMALLEST OPENING PAD IS P/N: FC-70-88-36-IT-2166(12)
 THE LARGEST OPENING PAD IS P/N: FC-70-88-36-IT-5876

DRAWN BY: ROBIN FLINT

DATE: 6/4/2019

REVISION LEVEL: B

WEIGHT:

933 LBS.

MATERIAL:

FIBERCRETE FC



1010 NORTH STAR DRIVE
 P.O. BOX 69
 ZUMBROTA, MN 55992-0069

DESCRIPTION:

INTEGRATED TUNNEL BOX PAD

DIMENSIONS ARE IN INCHES
 TOLERANCES:
 FRACTIONAL: ± 1/8"
 ANGULAR: ± 2°

CONTACT INFORMATION:
 EMAIL: INFO@CONCASTINC.COM
 PHONE: (507) 732-4095
 FAX: (507) 732-4094

SHEET 1 OF 1

PART NUMBER:

FC-70-88-36-IT-LLWW(X)