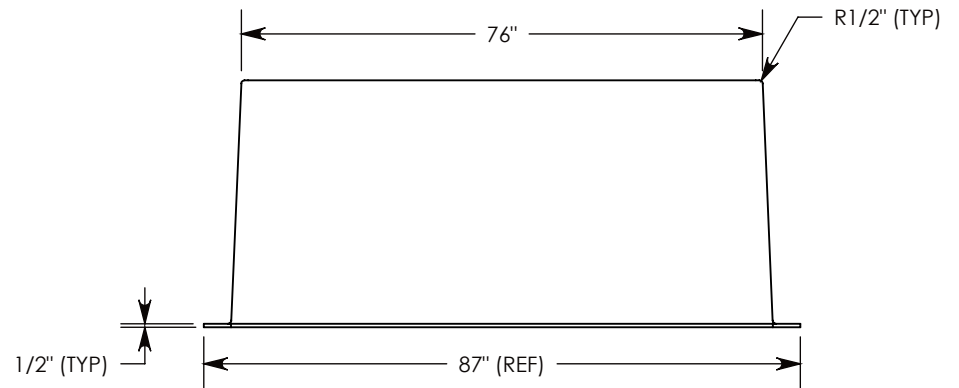
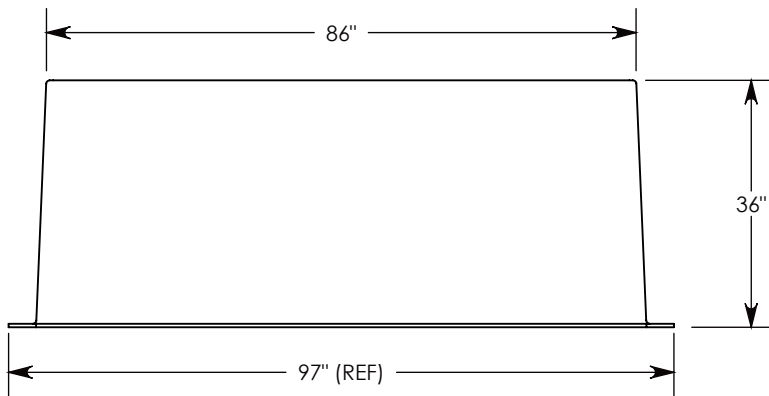
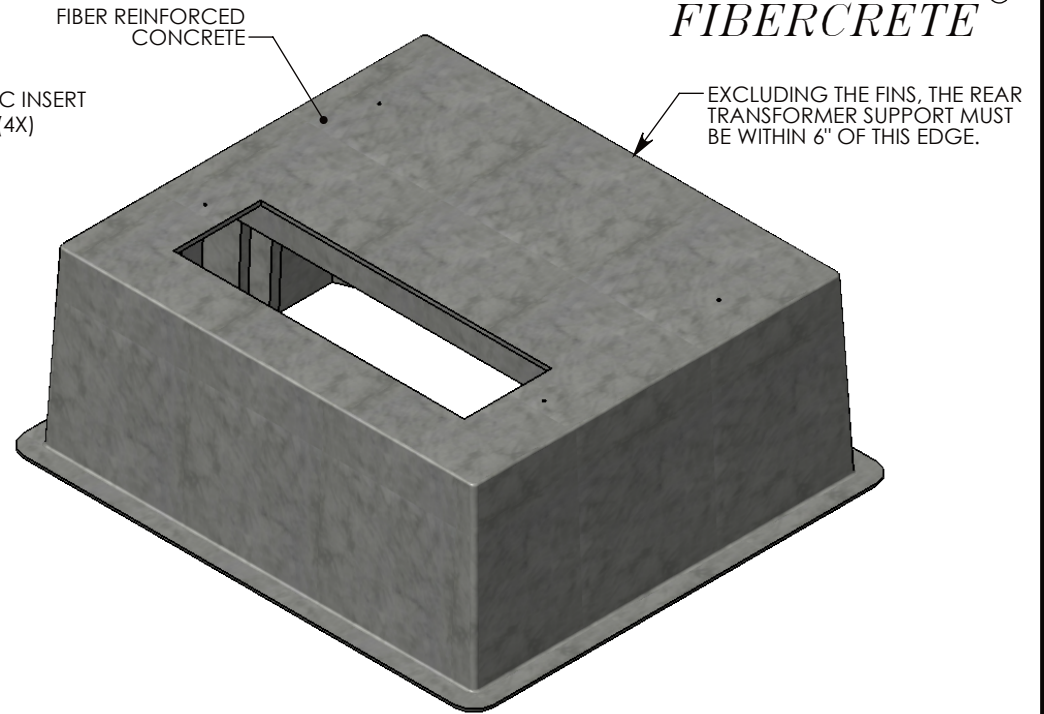
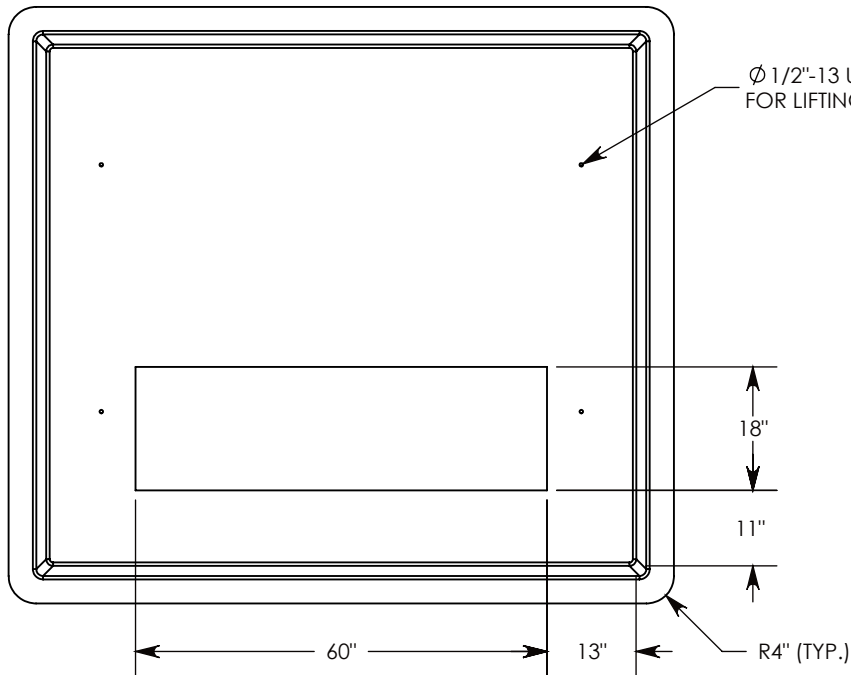


**FIBERCRETE**®



**NOTE 1:** IF SPECIFIC INSERTS OR MOUNTING HARDWARE ARE REQUIRED, PLEASE SPECIFY WHEN ORDERING.

**DRAWN BY:** ROBIN FLINT

**DATE:** 4/20/2016

**REVISION LEVEL:** A

**WEIGHT:**

1347 LBS.

**MATERIAL:**

FIBERCRETE FC



**DESCRIPTION:**

**FIBERCRETE PAD BOX**

DIMENSIONS ARE IN INCHES  
TOLERANCES:  
FRACTIONAL: ± 1/8"  
ANGULAR: ± 2°

CONTACT INFORMATION:  
EMAIL: INFO@CONCASTINC.COM  
PHONE: (507) 732-4095  
FAX: (507) 732-4094

SHEET 1 OF 1

**PART NUMBER:**

**FC-76-86-36-1860 (11)**