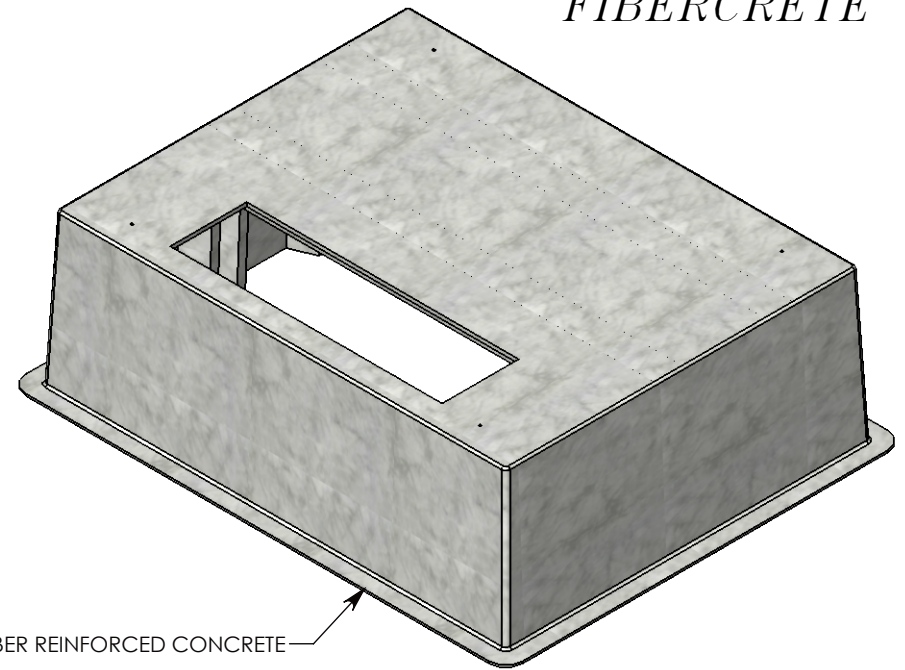
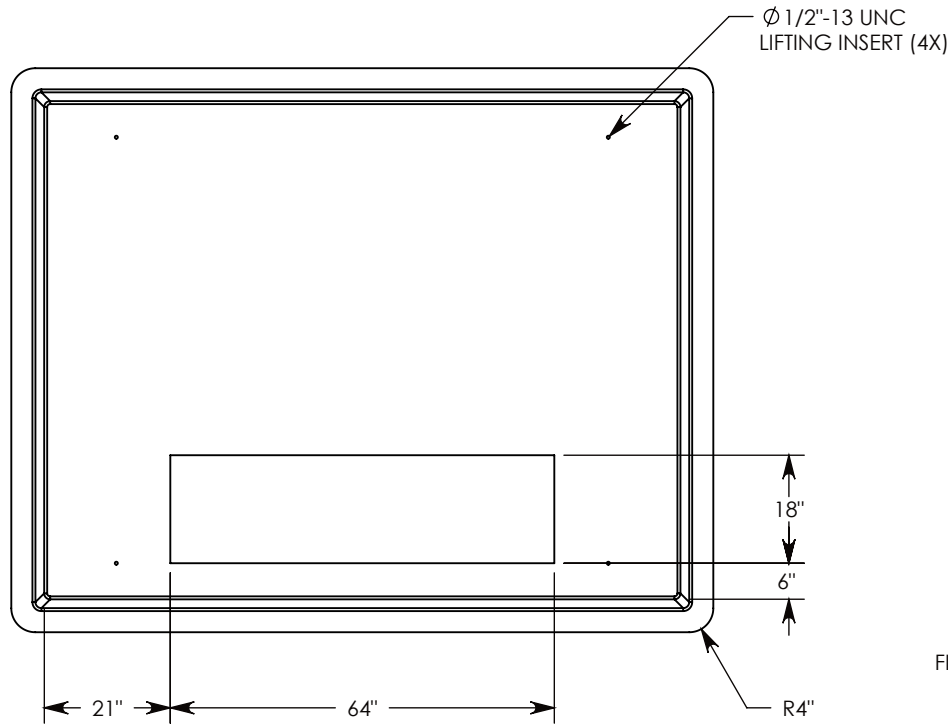
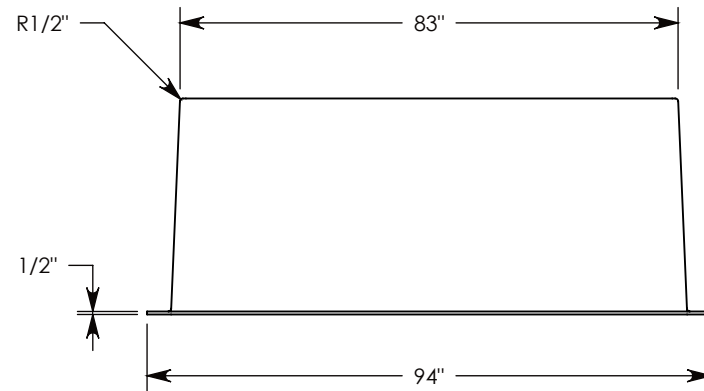
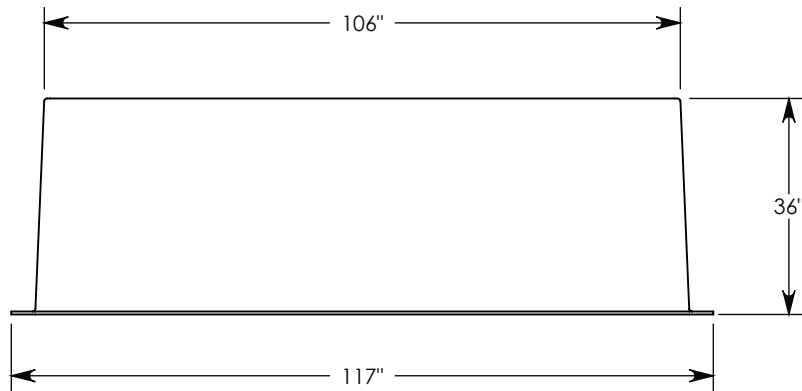


**FIBERCRETE®**



FIBER REINFORCED CONCRETE



**NOTE 1:** IF SPECIFIC INSERTS OR MOUNTING HARDWARE ARE REQUIRED, PLEASE SPECIFY WHEN ORDERING.

DRAWN BY: **JESSE GUTTING**

CREATED DATE: **1/3/2020** REVISION LEVEL: **0**

SAVED DATE: **1/3/2020** SAVED BY: **jgutting**

WEIGHT: **1767 LBS.** MATERIAL: **FIBERCRETE FC**

**CONCAST**  
 1010 NORTH STAR DRIVE  
 P.O. BOX 69  
 ZUMBROTA, MN 55992-0069

DESCRIPTION:  
**FIBERCRETE BOX PAD**

DIMENSIONS ARE IN INCHES  
 TOLERANCES:  
 FRACTIONAL: ± 1/8"  
 ANGULAR: ± 2°

CONTACT INFORMATION:  
 EMAIL: [INFO@CONCASTINC.COM](mailto:INFO@CONCASTINC.COM)  
 PHONE: (507) 732-4095  
 FAX: (507) 732-4094

SHEET 1 OF 1

PART NUMBER:  
**FC-83-106-36-1864(6)**