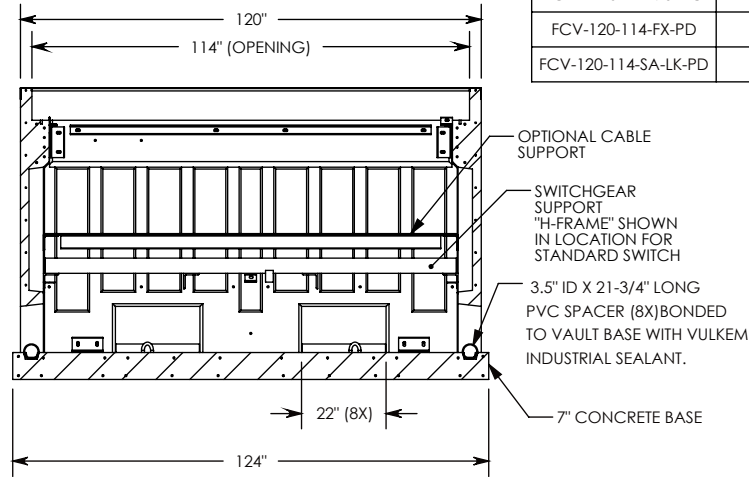
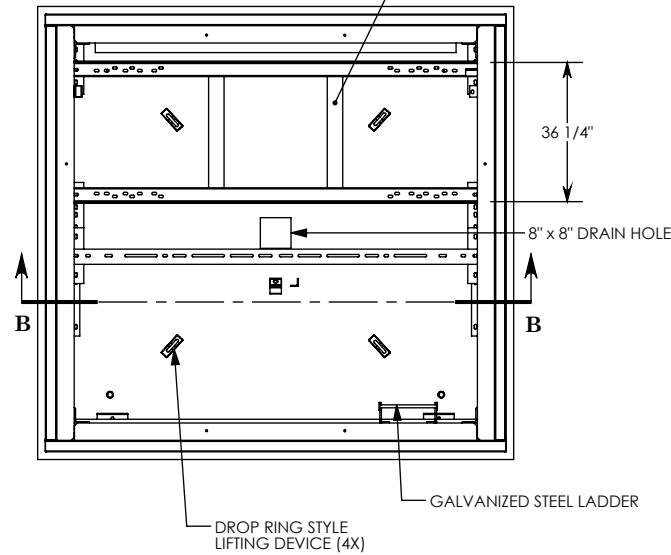
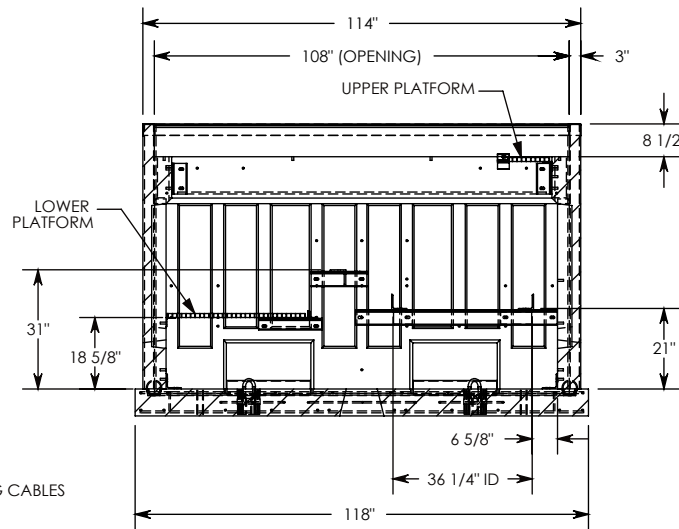
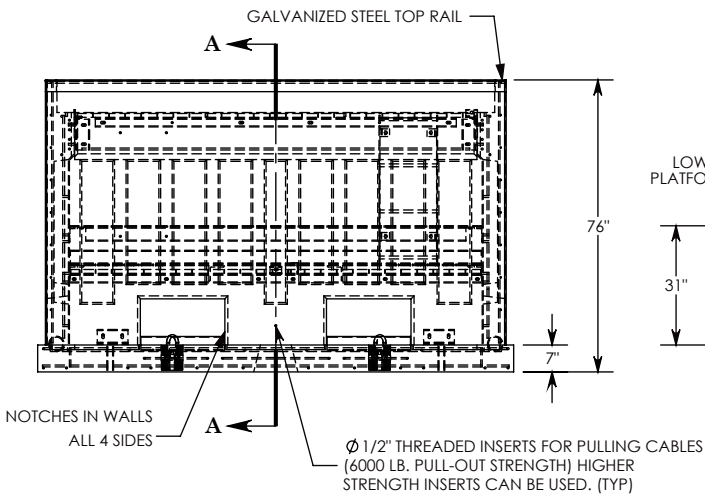


UPPER AND LOWER PLATFORM REMOVED FROM THIS VIEW.

SWITCHGEAR SUPPORT - 3/8" ANGLE (TYP) ADJUSTABLE TO FIT 2, 3, & 4 WAY UNITS. WILL ALSO FIT THE VISTA R1 MODELS.



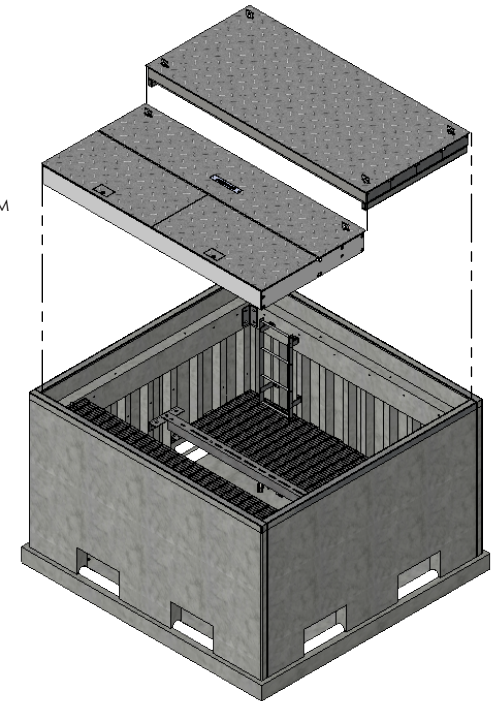
SECTION B-B



SECTION A-A

**VAULT PACKAGE BILL OF MATERIALS (BOM)**

PART NUMBER	DESCRIPTION	QTY
FCVP-120-114-76-NG	VAULT WITH GALVANIZED STEEL HARDWARE (HKIT-120-114-SG)	1
FCV-120-114-FX-PD	FIXED STEEL COVER WITH STD. DECK PLATE	1
FCV-120-114-SA-LK-PD	SPRING-ASSISTED STEEL COVER WITH STD. DECK PLATE	1



- NOTES:
1. VAULT IS RATED FOR PEDESTRIAN FOOT TRAFFIC
  2. DESIGNED PER S&C PULL BOX SPECIFICATIONS DATA SHEET 681-51. INCLUDING ALL OPTIONAL INTERIOR STEEL HARDWARE.
  3. ALL INTERNAL HARDWARE IS GALVANIZED STEEL.
  4. VAULT COMES PRE-ASSEMBLED WITH COVERS REMOVED FOR EASY INSTALLATION OF YOUR SWITCHGEAR.
  5. UNIT MUST BE LIFTED VIA THE FOUR CAST-IN, DROP RING LIFTING DEVICES SHOWN.
  6. LISTED WEIGHT IS THE ASSEMBLED VAULT WITHOUT THE COVER.

**DRAWN BY: JESSE GUTTING**

**DATE: 11/15/2017**

**REVISION LEVEL: 0**

**WEIGHT:**

**22280 LBS.**

**MATERIAL:**

**NOTED**



1010 NORTH STAR DRIVE  
P.O. BOX 69  
ZUMBROTA, MN 55992-0069

**DESCRIPTION:**

**PRECAST CONCRETE VAULT**

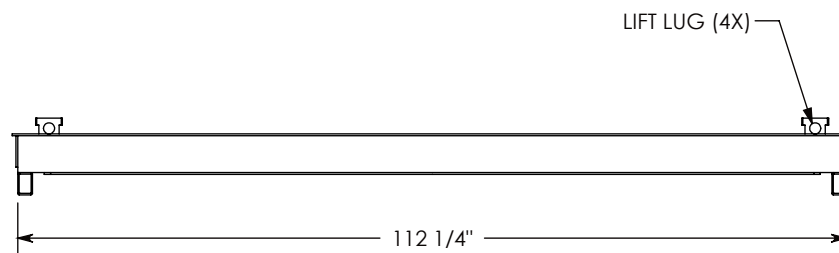
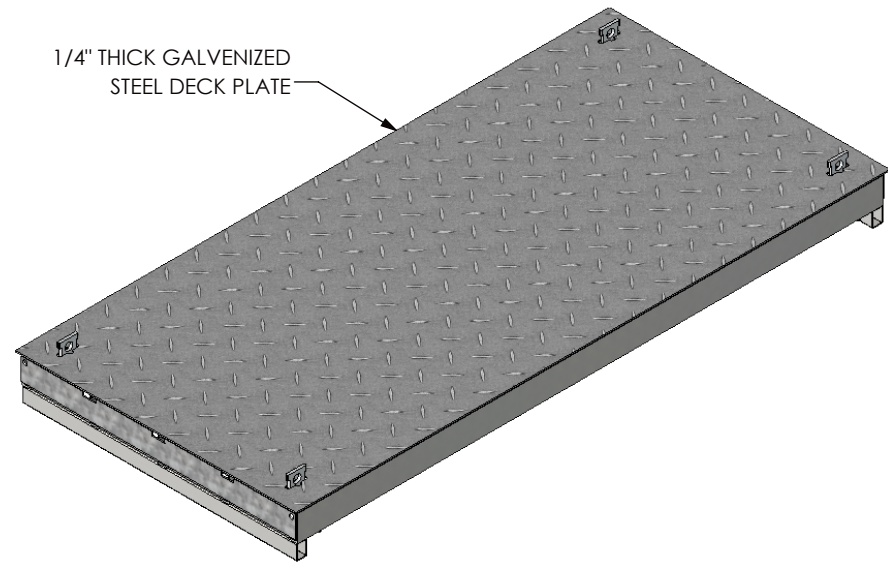
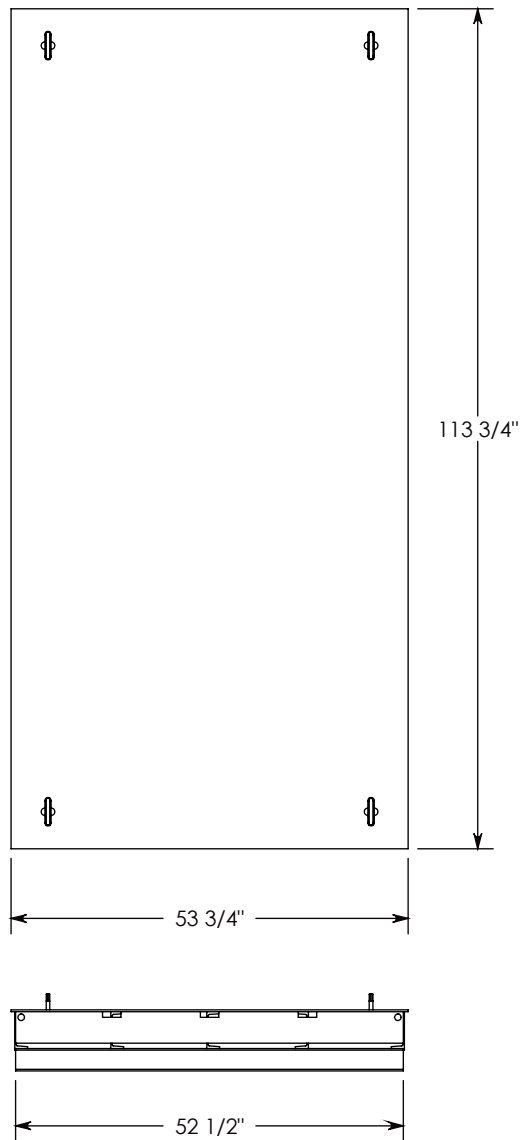
DIMENSIONS ARE IN INCHES  
TOLERANCES:  
FRACTIONAL: ± 1/8"  
ANGULAR: ± 2°

CONTACT INFORMATION:  
EMAIL: INFO@CONCASTINC.COM  
PHONE: (507) 732-4095  
FAX: (507) 732-4094

SHEET 1 OF 3

**PART NUMBER:**

**FCVP-120-114-76-NG**



NOTE 1: COVER FITS A 120-114 VAULT (OPENING SIZE = 114" X108" )

PEDESTRIAN RATED - 200 LB. PER SQ. FOOT

**DRAWN BY: JESSE GUTTING**

**DATE: 11/15/2017**

**REVISION LEVEL: 0**

**WEIGHT:**

**917 LBS.**

**MATERIAL:**

**WELDED GALV. STEEL**



1010 NORTH STAR DRIVE  
P.O. BOX 69  
ZUMBROTA, MN 55992-0069

**DESCRIPTION:**

**VAULT COVER - FIXED**

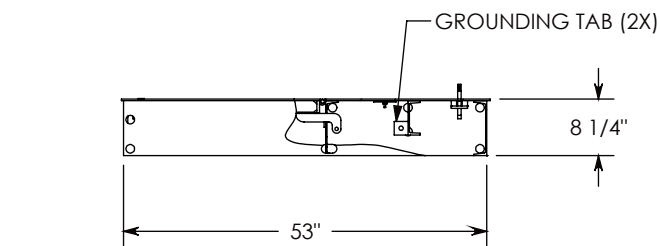
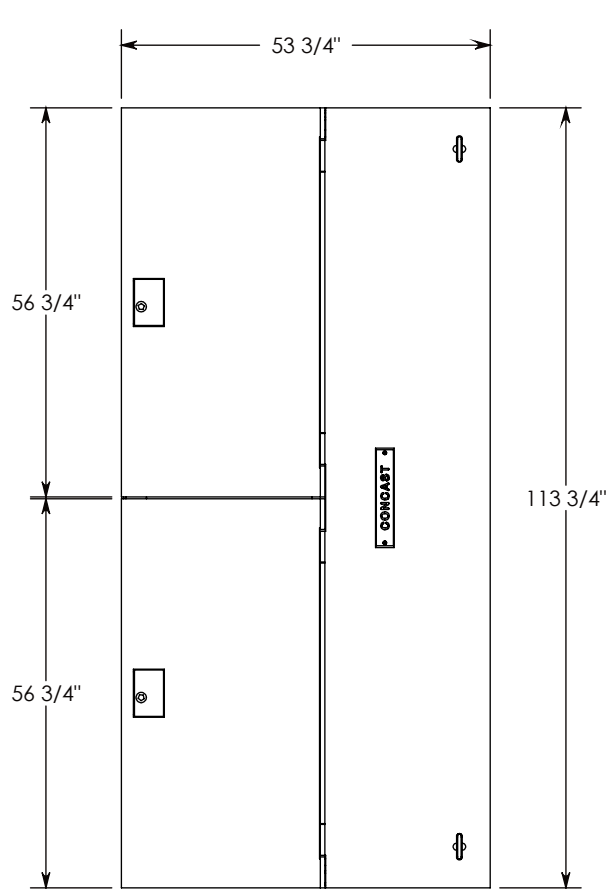
DIMENSIONS ARE IN INCHES  
TOLERANCES:  
FRACTIONAL:  $\pm 1/8"$   
ANGULAR:  $\pm 2^\circ$

CONTACT INFORMATION:  
EMAIL: [INFO@CONCASTINC.COM](mailto:INFO@CONCASTINC.COM)  
PHONE: (507) 732-4095  
FAX: (507) 732-4094

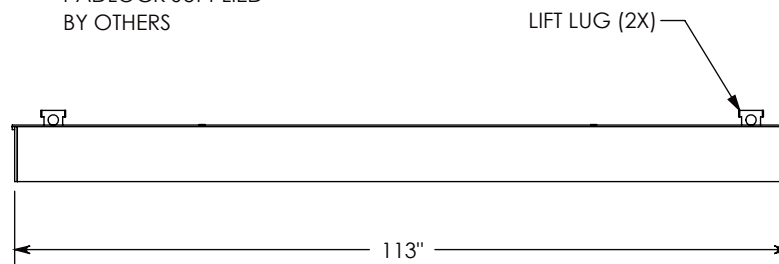
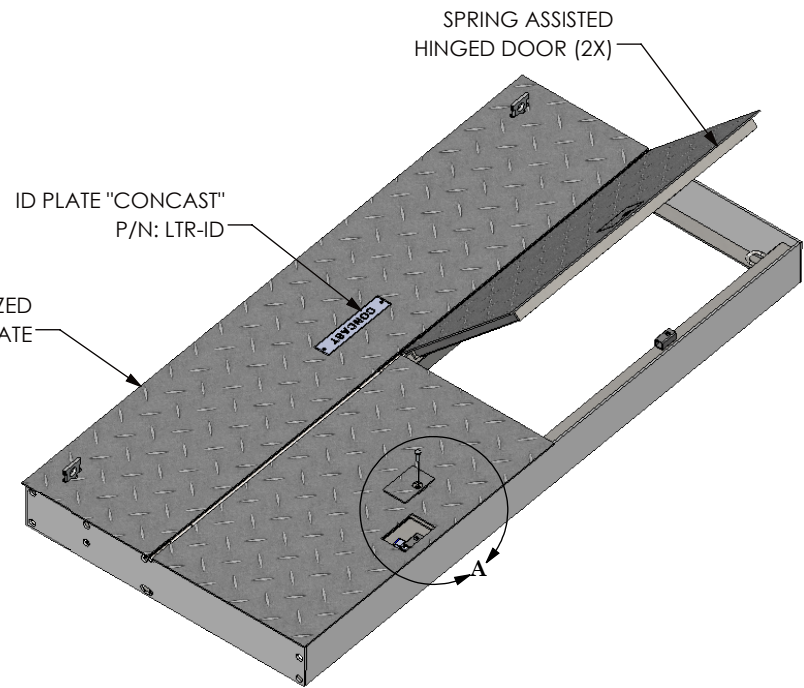
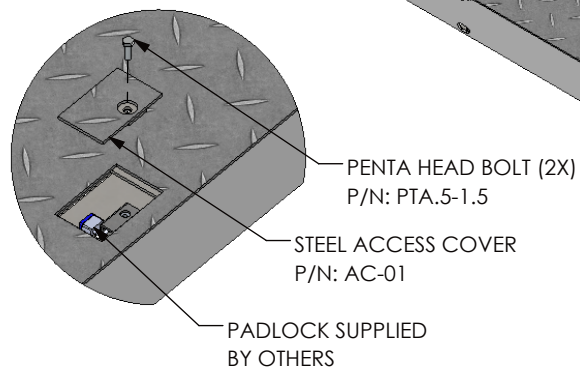
SHEET 2 OF 3

**PART NUMBER:**

**FCV-120-114-FX-PD**



**DETAIL A  
SCALE 1 : 14**



**NOTE 1:** COVER FITS A 120-114 VAULT (OPENING SIZE = 114" X108" )

PEDESTRIAN RATED - 200 LB. PER SQ. FOOT

**DRAWN BY: JESSE GUTTING**

**DATE: 11/15/2017**

**REVISION LEVEL: 0**

**WEIGHT:**

**917 LBS.**

**MATERIAL:**

**NOTED**



**DESCRIPTION:  
VAULT COVER - HINGED**

DIMENSIONS ARE IN INCHES  
TOLERANCES:  
FRACTIONAL: ± 1/8"  
ANGULAR: ± 2°

CONTACT INFORMATION:  
EMAIL: INFO@CONCASTINC.COM  
PHONE: (507) 732-4095  
FAX: (507) 732-4094

SHEET 1 OF 3

**PART NUMBER:  
FCV-120-114-SA-LK-PD**