

P/N: 18-18-FH  
 FIBERCRETE COVER ~35 LBS.  
 SHOWN IN THIS VIEW ONLY

**FIBERCRETE**®

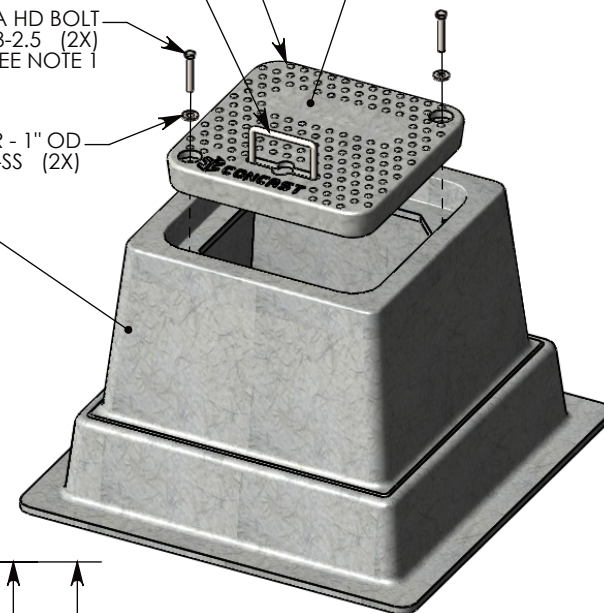
LIFTING RING (2X)

IDENTIFICATION MARK AREA

3/8"-16 UNC X 2-1/2" LG PENTA HD BOLT  
 P/N: PTA.38-2.5 (2X)  
 SEE NOTE 1

3/8" SS WASHER - 1" OD  
 P/N: WSR.38-1-SS (2X)

STEEL & FIBER  
 REINFORCED  
 CONCRETE



**NOTE 1:** FOR ADDED SECURITY, REPLACE PENTAHEAD BOLTS WITH SURELOCK BOLTS & ORDER UNIT UNDER P/N: FHSL-18-18-18

PEDESTRIAN RATED - 200 LB. PER SQ. FOOT

**DRAWN BY: ROBIN FLINT**

**DATE: 8/20/2013**

**REVISION LEVEL: 0**

**WEIGHT:**

**109 LBS. W/COVER**

**MATERIAL:**

**FIBERCRETE**



1010 NORTH STAR DRIVE  
 P.O. BOX 69  
 ZUMBROTA, MN 55992-0069

**DESCRIPTION:**

**FIBERCRETE HANDHOLE**

DIMENSIONS ARE IN INCHES  
 TOLERANCES:  
 FRACTIONAL: ± 1/8"  
 ANGULAR: ± 2°

CONTACT INFORMATION:  
 EMAIL: INFO@CONCASTINC.COM  
 PHONE: (507) 732-4095  
 FAX: (507) 732-4094

SHEET 1 OF 1

**PART NUMBER:**

**FH-18-18-18**