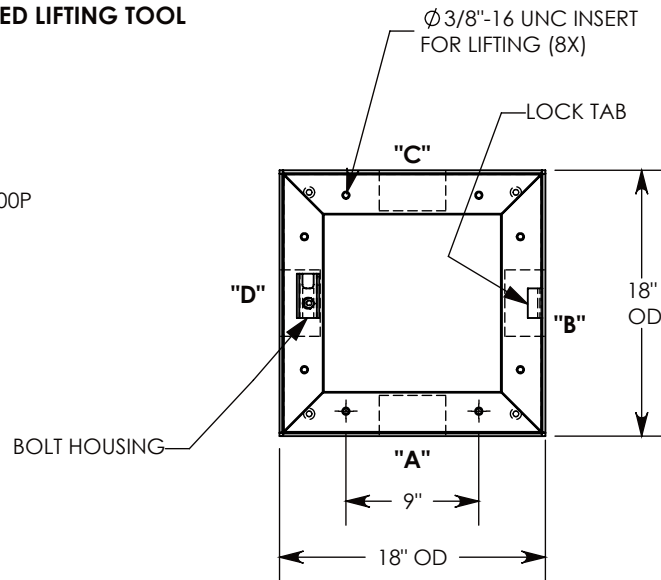
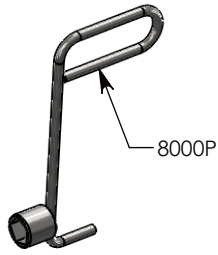


**OPTIONAL PENTAHEAD SOCKET-EQUIPPED LIFTING TOOL**



3/8-16 UNC X 1.5" LG PENTA HD BOLT (P/N: PTA.38-1.5) FOR SECURING THE COVER. BOLT HOLE IS USED FOR COVER LIFT OPERATIONS. SEE NOTE 2

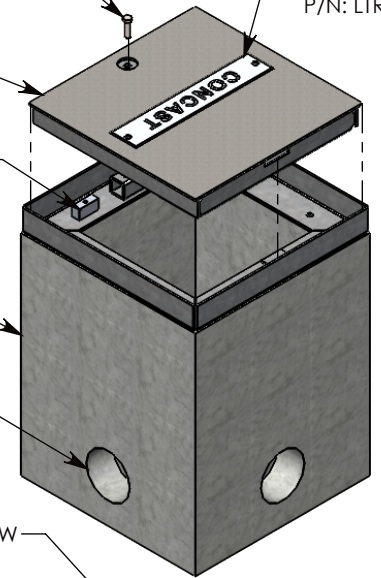
ALUMINUM ID PLATE "CONCAST" P/N: LTR-ID

GALV. STEEL COVER P/N: 18-18-FHR ~31 LBS.

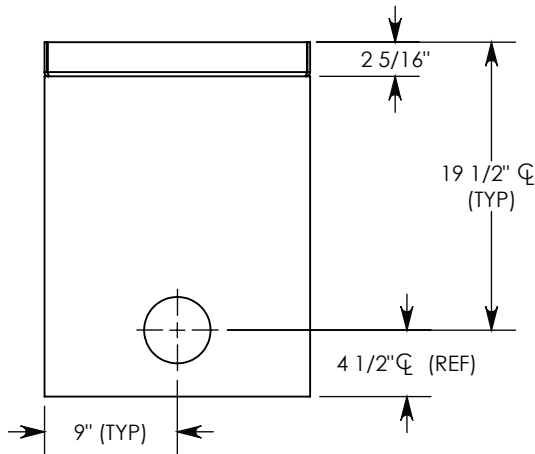
2" ALUMINUM FLOATING NUT P/N: FLT-NUT-7

STEEL REINFORCED CONCRETE BASE W/CAST-IN GALV. STEEL FRAME P/N: FHR-18-18-24-R

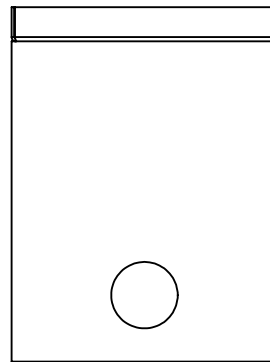
CON-DUCT TERMINATIONS ARE CAST INTO BOX SIDEWALLS. THEY FIT UP TO 4" PVC PIPE. TO ACCESS THE HOLES, BREAK PLASTIC SEAL. SEE NOTE 1.



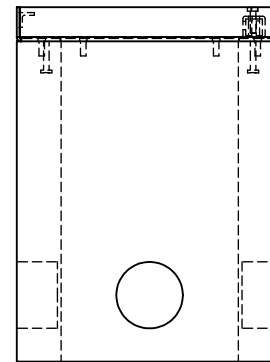
COVER SHOWN IN THIS VIEW



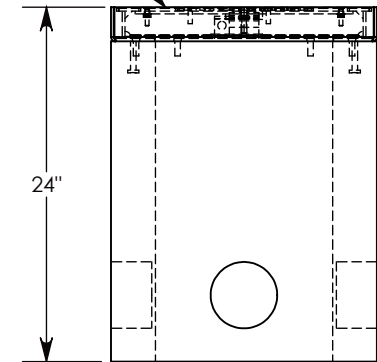
**SIDE "A" HLR**



**SIDE "B" (HLR)**



**SIDE "C"**



**SIDE "D"**

**NOTE 1:** FOR PVC SIZES SMALLER THAN 4", USE CONCAST RC41 (REDUCING COUPLER).

**NOTE 2:** FOR ADDED SECURITY, REPLACE PENTAHEAD BOLTS WITH SURELOCK BOLTS AND ORDER UNDER P/N: FHRSL-18-18-24

H20 RATED - 32,000 LB. PER AXLE LOAD.

**DRAWN BY: ROBIN FLINT**

**DATE: 4/24/2016**

**REVISION LEVEL: 0**

**WEIGHT:**

**355 LBS. W/COVER**

**MATERIAL:**

**NOTED**



1010 NORTH STAR DRIVE  
P.O. BOX 69  
ZUMBROTA, MN 55992-0069

**DESCRIPTION:**

**HEAVY TRAFFIC HANDHOLE**

DIMENSIONS ARE IN INCHES  
TOLERANCES:  
FRACTIONAL: ± 1/8"  
ANGULAR: ± 2°

CONTACT INFORMATION:  
EMAIL: INFO@CONCASTINC.COM  
PHONE: (507) 732-4095  
FAX: (507) 732-4094

SHEET 1 OF 1

**PART NUMBER:**

**FHR-18-18-24**