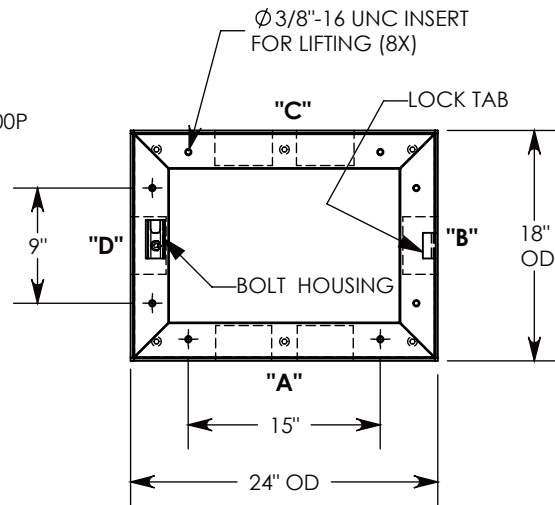
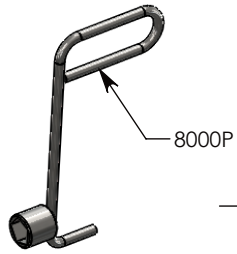


**OPTIONAL PENTAHEAD SOCKET-EQUIPPED LIFTING TOOL**



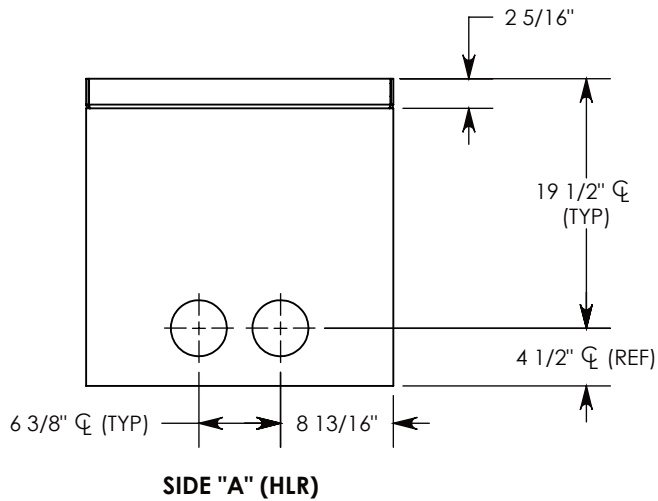
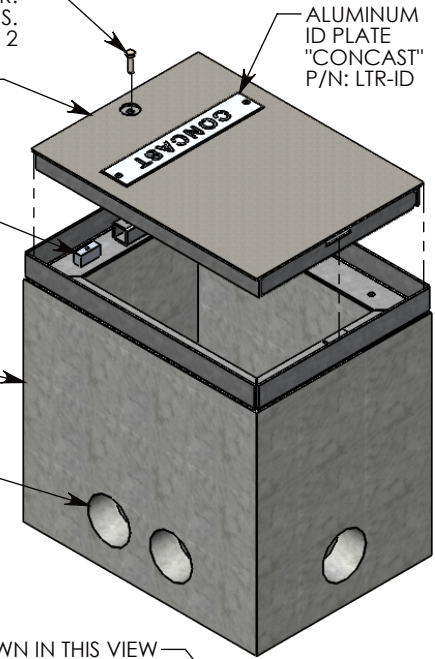
3/8-16 UNC X 1.5\"/>

GALV. STEEL COVER  
P/N: 18-24-FHR  
~43 LBS.

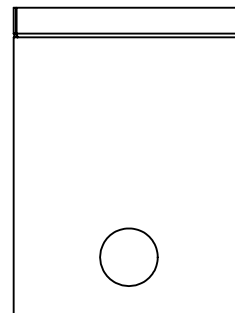
2\"/>

STEEL REINFORCED CONCRETE BASE  
W/CAST-IN GALV. STEEL FRAME  
P/N: FHR-18-24-24-R

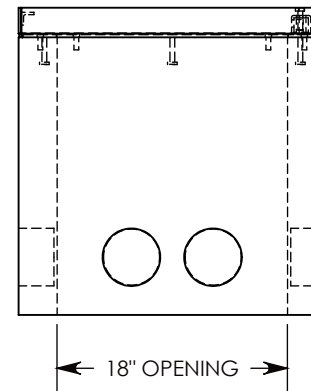
CON-DUCT TERMINATIONS ARE CAST INTO BOX  
SIDEWALLS. THEY FIT UP TO 4\"/>



**SIDE "A" (HLR)**

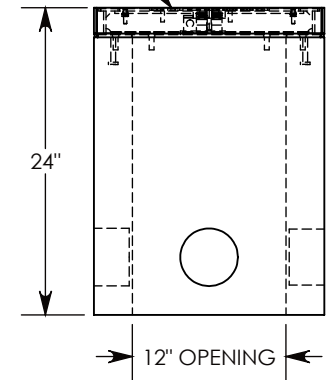


**SIDE "B" HLR**



**SIDE "C"**

COVER SHOWN IN THIS VIEW



**SIDE "D"**

**NOTE 1:** FOR PVC SIZES SMALLER THAN 4\",/>

**NOTE 2:** FOR ADDED SECURITY, REPLACE PENTAHEAD BOLTS WITH SURELOCK BOLTS AND ORDER UNDER P/N: FHRSL-18-24-24

H20 RATED - 32,000 LB. PER AXLE LOAD.

<b>DRAWN BY: ROBIN FLINT</b>	
<b>DATE: 4/24/2016</b>	<b>REVISION LEVEL: 0</b>
<b>WEIGHT: 427 LBS. W/COVER</b>	<b>MATERIAL: NOTED</b>

1010 NORTH STAR DRIVE  
P.O. BOX 69  
ZUMBROTA, MN 55992-0069

<b>DESCRIPTION:</b>		
<b>HEAVY TRAFFIC HANDHOLE</b>		
DIMENSIONS ARE IN INCHES TOLERANCES: FRACTIONAL: ± 1/8" ANGULAR: ± 2°	CONTACT INFORMATION: EMAIL: INFO@CONCASTINC.COM PHONE: (507) 732-4095 FAX: (507) 732-4094	SHEET 1 OF 1
<b>PART NUMBER:</b>		
<b>FHR-18-24-24</b>		