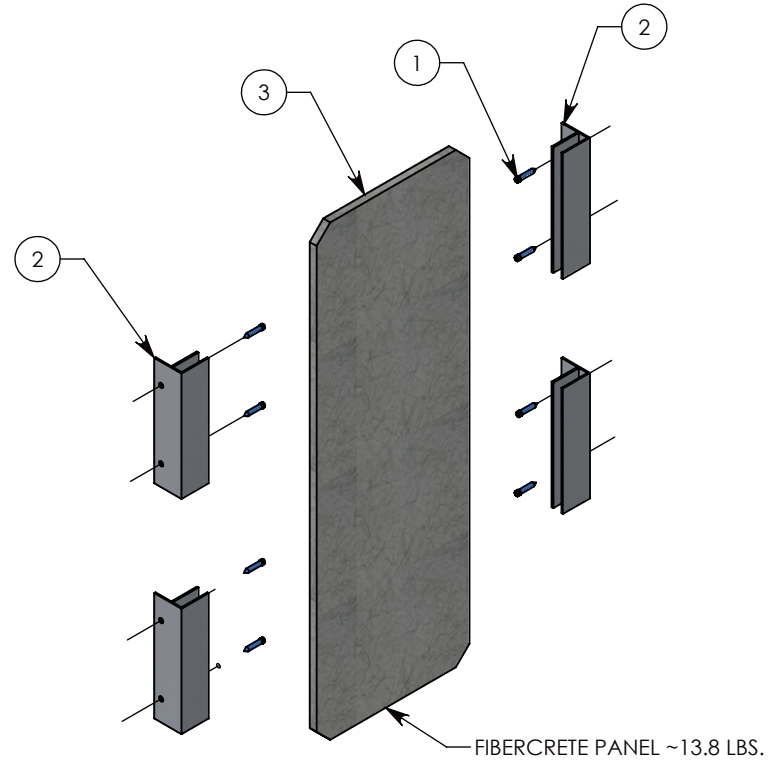
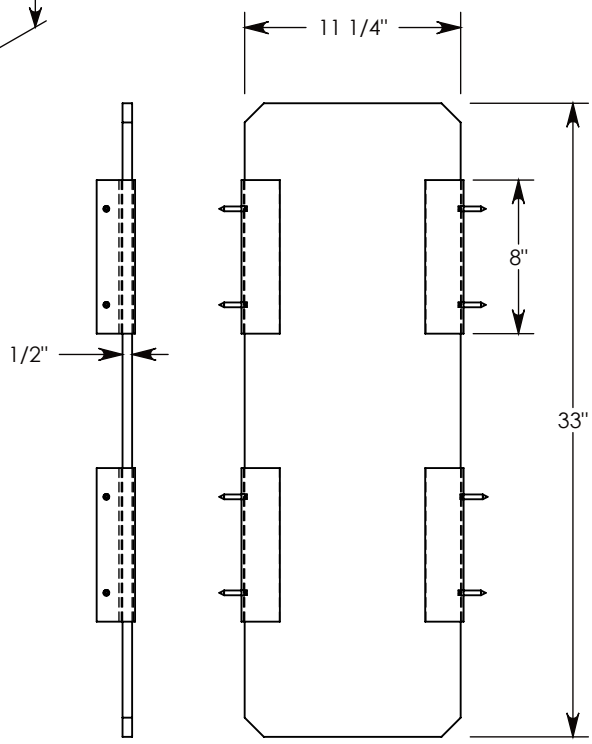


| ITEM NO. | PART NUMBER | DESCRIPTION | QTY. |
|----------|-----------------|----------------------------------|------|
| 1 | CCSCREW-1.25 | 1/4" X 1.25" LONG CONCRETE SCREW | 8 |
| 2 | DIV-BKT.W | 1/2" ALUMINUM SLEEVE | 4 |
| 3 | FHR-18-36-DIV.B | FHR DIVIDER BOARD | 1 |



NOTE: DESIGNED TO CREATE SEPARATION IN A 18" WIDE BY 36" TALL CONCAST FHR HANDHOLE UNIT.

| | |
|--------------------------------------|--------------------------|
| DRAWN BY: ROBIN FLINT | |
| DATE: 10/31/2015 | REVISION LEVEL: 0 |
| WEIGHT: 16 LBS. WITH HARDWARE | MATERIAL: NOTED |



1010 NORTH STAR DRIVE
P.O. BOX 69
ZUMBROTA, MN 55992-0069

| | | |
|--|--|--------------------------|
| DESCRIPTION: | | FHR DIVIDER PANEL |
| DIMENSIONS ARE IN INCHES TOLERANCES: FRACTIONAL: ± 1/8" ANGULAR: ± 2° | CONTACT INFORMATION: EMAIL: INFO@CONCASTINC.COM PHONE: (507) 732-4095 FAX: (507) 732-4094 | SHEET 1 OF 1 |
| PART NUMBER: | | FHR-18-36-DIV |