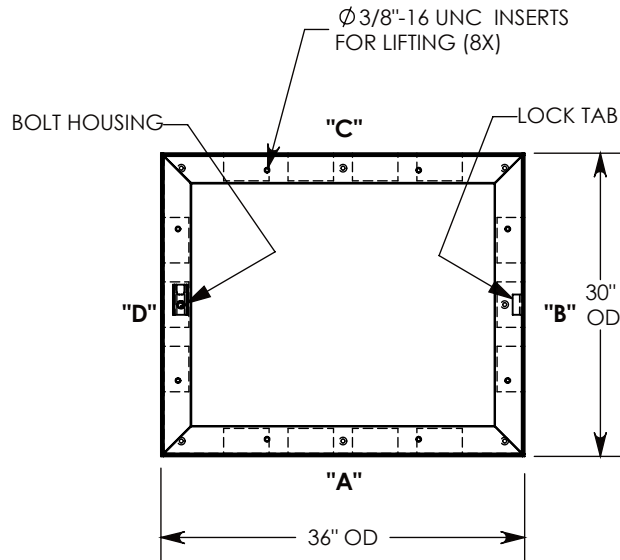


OPTIONAL PENTAHEAD SOCKET-EQUIPPED LIFTING TOOL



3/8-16 UNC X 1.5" LG PENTA HD BOLT (P/N: PTA.38-1.5) FOR SECURING THE COVER. BOLT HOLE IS USED FOR COVER LIFT OPERATIONS. SEE NOTE 2.

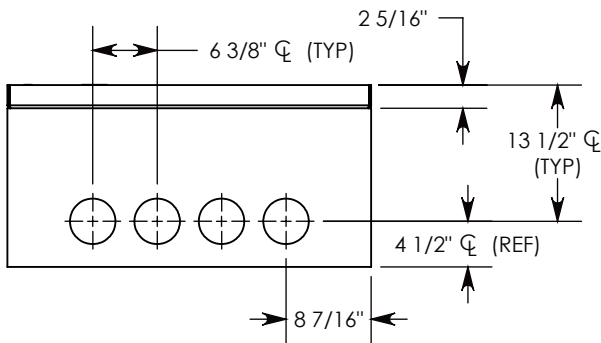
GALV. STEEL COVER P/N: 30-36-FHR ~114 LBS

2" ALUMINUM FLOATING NUT P/N: FLT-NUT-7

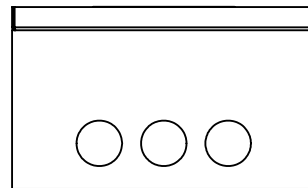
STEEL REINFORCED CONCRETE BASE W/CAST-IN GALV. STEEL FRAME P/N: FHR-30-36-18-R

ALUMINUM ID PLATE "CONCAST" P/N: LTR-ID

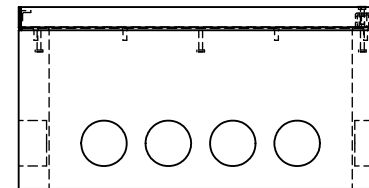
CON-DUCT TERMINATIONS ARE CAST INTO BOX SIDEWALLS. THEY FIT UP TO 4" PVC PIPE. TO ACCESS THE HOLES, BREAK PLASTIC SEAL. SEE NOTE 1.



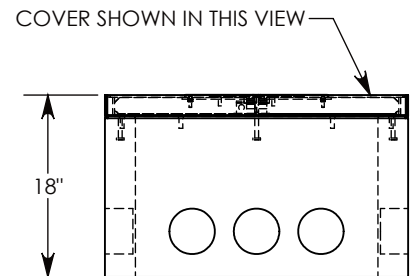
SIDE "A" (HLR)



SIDE "B" (HLR)



SIDE "C"



SIDE "D"

NOTE 1: FOR PVC SIZES SMALLER THAN 4", USE CONCAST RC41 (REDUCING COUPLER).

NOTE 2: FOR ADDED SECURITY, REPLACE PENTAHEAD BOLTS WITH SURELOCK BOLTS AND ORDER UNDER P/N: FHRSL-30-36-18

H2O RATED - 32,000 LB. PER AXLE LOAD.

DRAWN BY: ROBIN FLINT

DATE: 4/23/2016

REVISION LEVEL: 0

WEIGHT:

MATERIAL:

561 LBS. W/COVER

NOTED



1010 NORTH STAR DRIVE
P.O. BOX 69
ZUMBROTA, MN 55992-0069

DESCRIPTION:

HEAVY TRAFFIC HANDHOLE

DIMENSIONS ARE IN INCHES
TOLERANCES:
FRACTIONAL: ± 1/8"
ANGULAR: ± 2°

CONTACT INFORMATION:
EMAIL: INFO@CONCASTINC.COM
PHONE: (507) 732-4095
FAX: (507) 732-4094

SHEET 1 OF 1

PART NUMBER:

FHR-30-36-18