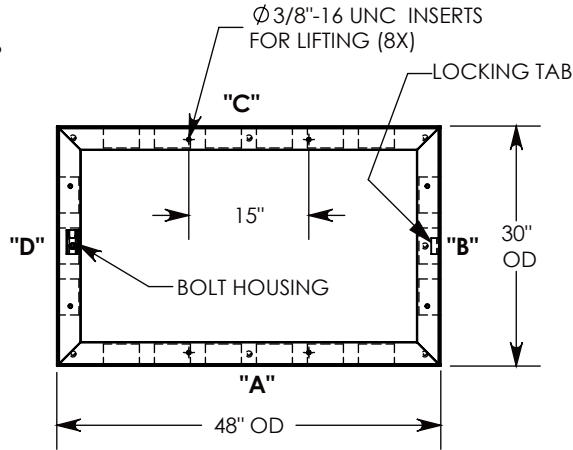
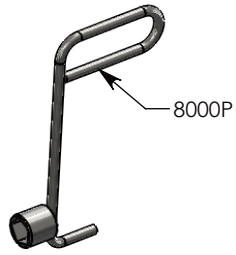


OPTIONAL PENTAHEAD SOCKET-EQUIPPED LIFTING TOOL



3/8-16 UNC X 1.5\"/>

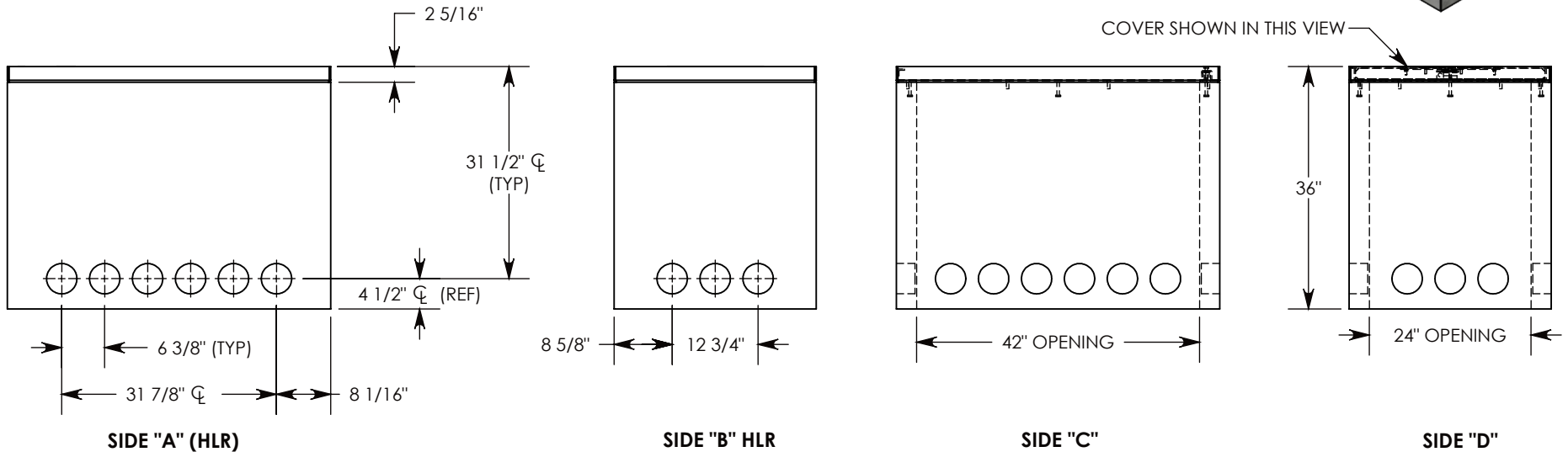
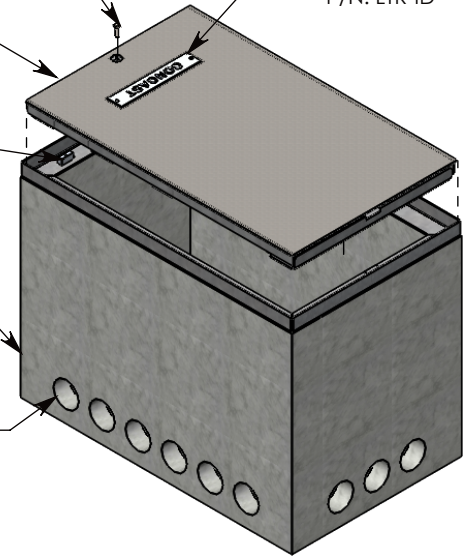
GALV. STEEL COVER
P/N: 30-48-FHR
~149 LBS

ALUMINUM ID PLATE
"CONCAST"
P/N: LTR-ID

2\"/>

STEEL REINFORCED CONCRETE BASE
W/CAST-IN GALV. STEEL FRAME
P/N: FHR-30-48-36-R

CON-DUCT TERMINATIONS ARE
CAST INTO BOX SIDEWALLS AND
FIT UP TO 4\"/>



NOTE 1: FOR PVC SIZES SMALLER THAN 4\", USE CONCAST RC41 (REDUCING COUPLER).

NOTE 2: FOR ADDED SECURITY, REPLACE PENTAHEAD BOLTS WITH SURELOCK BOLTS AND ORDER UNDER P/N: FHRSL-30-48-36

H20 RATED - 32,000 LB. PER AXLE LOAD.

DRAWN BY: ROBIN FLINT

DATE: 4/23/2016

REVISION LEVEL: A

WEIGHT:

MATERIAL:

1317 LBS. W/COVER

NOTED



DESCRIPTION:

HEAVY TRAFFIC HANDHOLE

DIMENSIONS ARE IN INCHES
TOLERANCES:
FRACTIONAL: ± 1/8"
ANGULAR: ± 2°

CONTACT INFORMATION:
EMAIL: INFO@CONCASTINC.COM
PHONE: (507) 732-4095
FAX: (507) 732-4094

SHEET 1 OF 1

PART NUMBER:

FHR-30-48-36