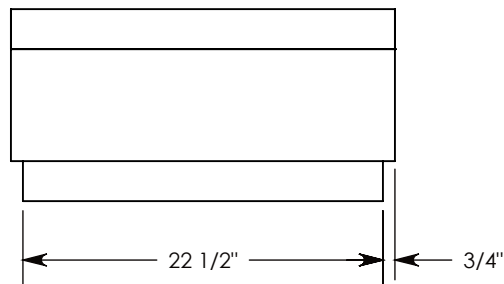
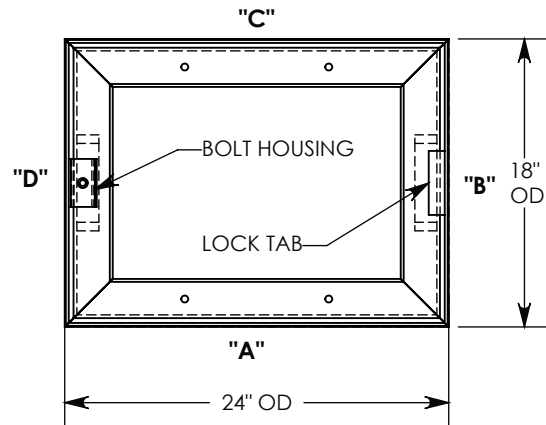
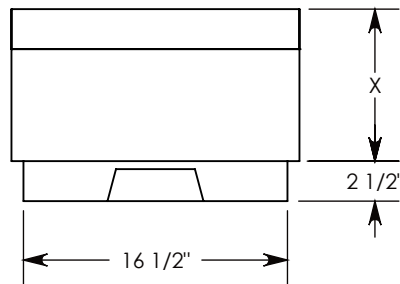


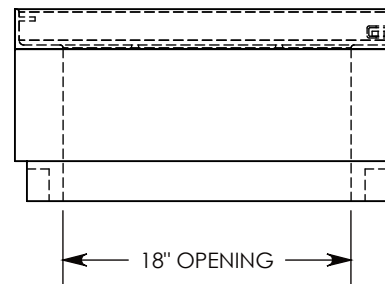
PART NUMBER	"XX" OVERALL HEIGHT	"X" AMOUNT OF EXTENSION	WEIGHT (POUNDS)
FHREX-18-24-12	12"	9.5"	183
FHREX-18-24-18	18"	15.5"	290
FHREX-18-24-24	24"	21.5"	396
FHREX-18-24-30	30"	27.5"	502
FHREX-18-24-36	36"	33.5"	608



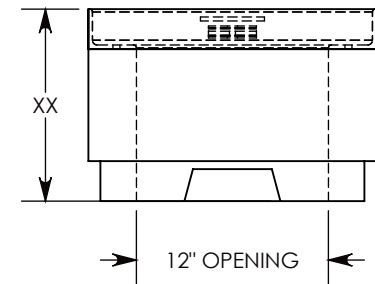
SIDE "A" (HLR)



SIDE "B" (HLR)



SIDE "C"



SIDE "D"

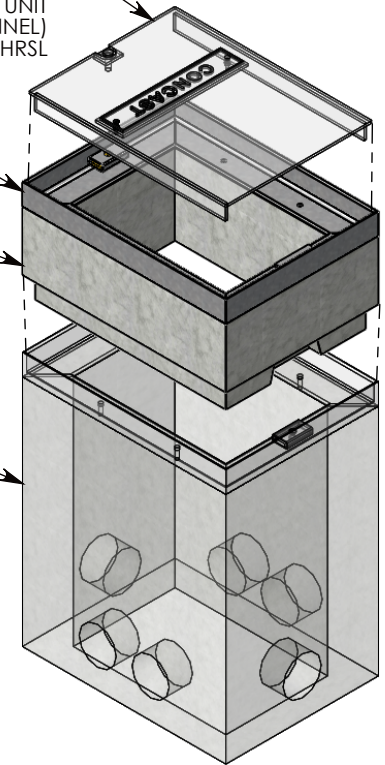
H20 RATED - 32,000 LB. PER AXLE LOAD.

GALVANIZED STEEL COVER IS PURCHASED SEPARATELY WITH THE FHR BASE UNIT (TRANSPARENT W/OUT CHANNEL) P/N: 18-24-FHR OR 18-24-FHRSL

GALVANIZED STEEL FHR FRAME

STEEL REINFORCED CONCRETE

FHR(SLP) BASE UNIT (TRANSPARENT) IS PURCHASED SEPARATELY WITH THE STEEL COVER P/N: FHR-18-24-XX OR FHRSLP-18-24-XX



DRAWN BY: ROBIN FLINT

DATE: 4/10/2013

REVISION LEVEL: 0

WEIGHT:

NOTED

MATERIAL:

NOTED

CONCAST
 1010 NORTH STAR DRIVE
 P.O. BOX 69
 ZUMBROTA, MN 55992-0069

DESCRIPTION:

HEAVY TRAFFIC HANDHOLE EXTENSION

DIMENSIONS ARE IN INCHES
 TOLERANCES:
 FRACTIONAL: ± 1/8"
 ANGULAR: ± 2°

CONTACT INFORMATION:
 EMAIL: INFO@CONCASTINC.COM
 PHONE: (507) 732-4095
 FAX: (507) 732-4094

SHEET 1 OF 1

PART NUMBER:

FHREX-18-24-XX