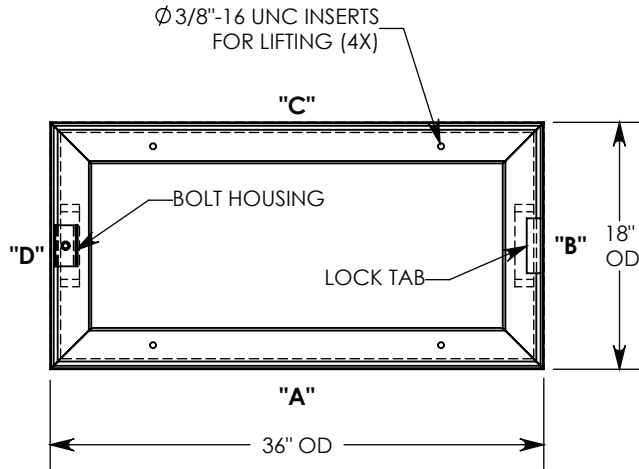


PART NUMBER	"XX" OVERALL HEIGHT	"X" AMOUNT OF EXTENSION	WEIGHT (POUNDS)
FHREX-18-30-12	12"	9.5"	244
FHREX-18-30-18	18"	15.5"	386
FHREX-18-30-24	24"	21.5"	528
FHREX-18-30-30	30"	27.5"	669
FHREX-18-30-36	36"	33.5"	811

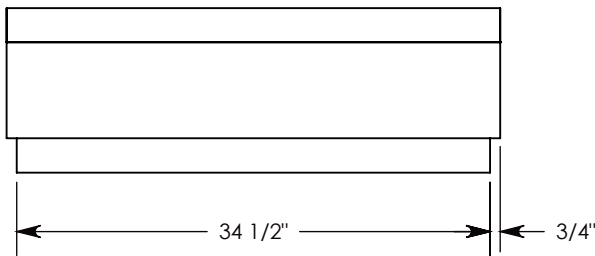
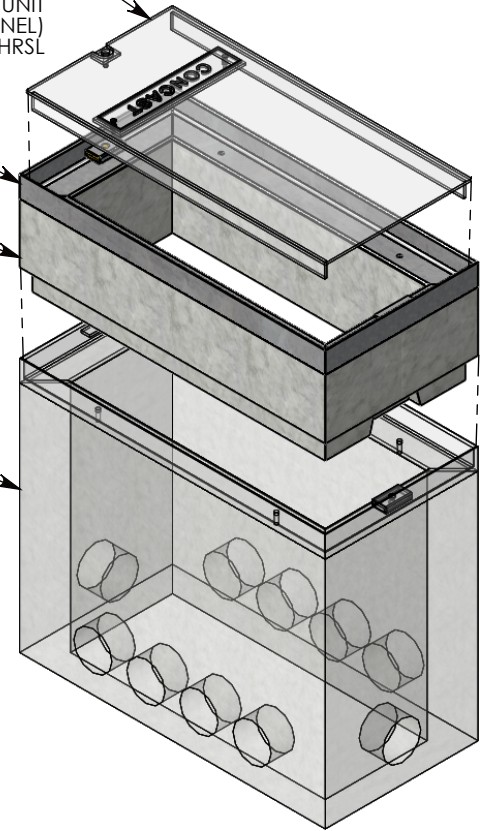


GALVANIZED STEEL COVER IS PURCHASED SEPARATELY WITH THE FHR BASE UNIT (TRANSPARENT W/OUT CHANNEL) P/N: 18-36-FHR OR 18-36-FHRSL

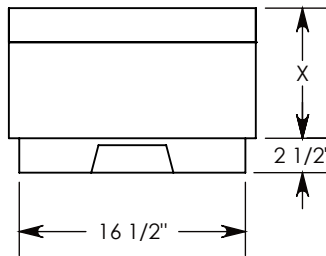
GALVANIZED STEEL FHR FRAME

STEEL REINFORCED CONCRETE

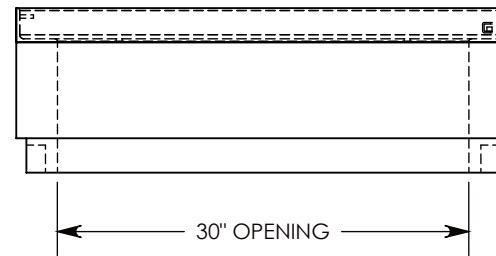
FHR(SLP) BASE UNIT (TRANSPARENT) IS PURCHASED SEPARATELY WITH THE STEEL COVER P/N: FHR-18-36-XX OR FHRSLP-18-36-XX



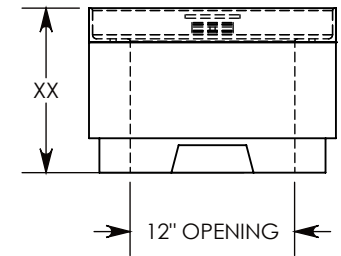
SIDE "A" (HLR)



SIDE "B" (HLR)



SIDE "C"



SIDE "D"

H20 RATED - 32,000 LB. PER AXLE LOAD.

DRAWN BY: ROBIN FLINT

DATE: 4/10/2013

REVISION LEVEL: 0

WEIGHT:

NOTED

MATERIAL:

NOTED



DESCRIPTION:

HEAVY TRAFFIC HANDHOLE EXTENSION

DIMENSIONS ARE IN INCHES
 TOLERANCES:
 FRACTIONAL: $\pm 1/8"$
 ANGULAR: $\pm 2^\circ$

CONTACT INFORMATION:
 EMAIL: INFO@CONCASTINC.COM
 PHONE: (507) 732-4095
 FAX: (507) 732-4094

SHEET 1 OF 1

PART NUMBER:

FHREX-18-36-XX