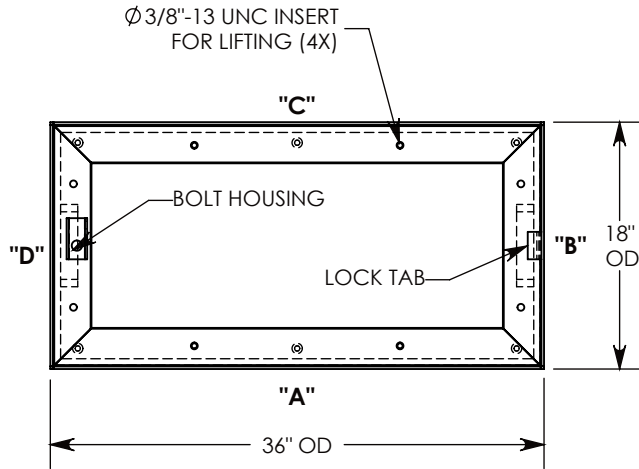


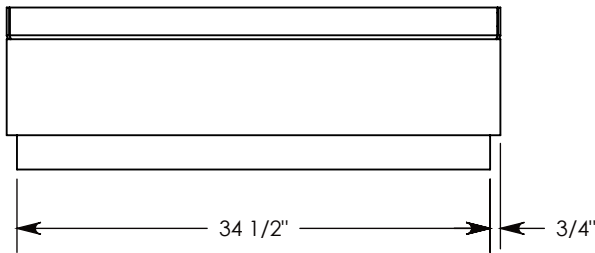
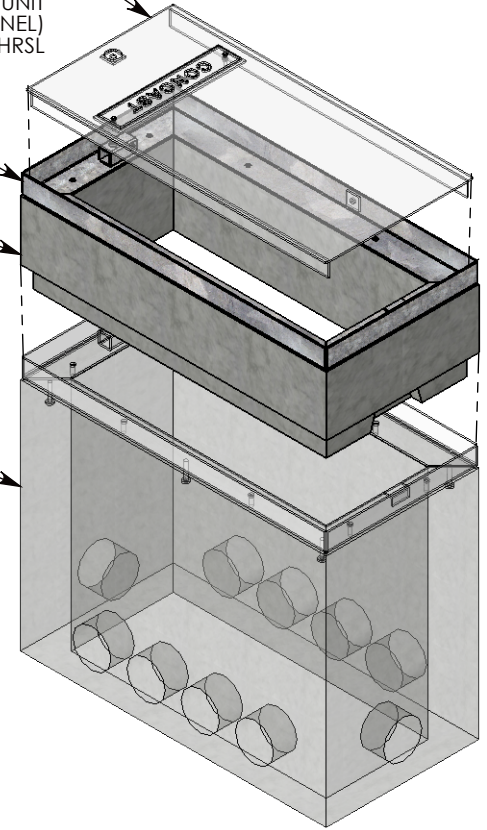
PART NUMBER	"XX" OVERALL HEIGHT	"X" AMOUNT OF EXTENSION	WEIGHT (POUNDS)
FHREX-18-36-12	12"	9.5"	244
FHREX-18-36-18	18"	15.5"	386
FHREX-18-36-24	24"	21.5"	528
FHREX-18-36-30	30"	27.5"	669
FHREX-18-36-36	36"	33.5"	811



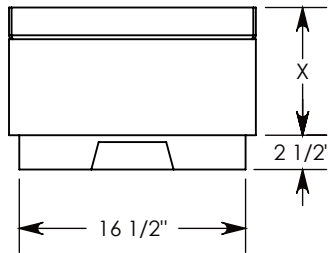
GALVANIZED STEEL COVER IS PURCHASED SEPARATELY WITH THE FHR BASE UNIT (TRANSPARENT W/OUT CHANNEL) P/N: 18-36-FHR OR 18-36-FHRSL

GALVANIZED STEEL FHR FRAME
STEEL REINFORCED CONCRETE

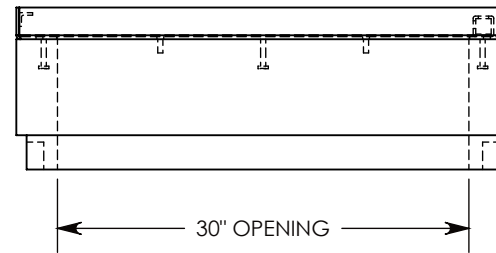
FHR(SLP) BASE UNIT (TRANSPARENT) IS PURCHASED SEPARATELY WITH THE STEEL COVER P/N: FHR-18-36-XX OR FHRSLP-18-36-XX



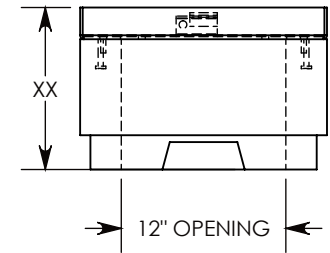
SIDE "A" (HLR)



SIDE "B" (HLR)



SIDE "C"



SIDE "D"

AASHTO H-20 RATED – 32,000 LB. SINGLE AXLE LOAD

DRAWN BY: ROBIN FLINT

DATE: 8/30/2018

REVISION LEVEL: 0

WEIGHT:

NOTED

MATERIAL:

NOTED

1010 NORTH STAR DRIVE
P.O. BOX 69
ZUMBROTA, MN 55992-0069

DESCRIPTION:

HEAVY TRAFFIC HANDHOLE EXTENSION

DIMENSIONS ARE IN INCHES
TOLERANCES:
FRACTIONAL: ± 1/8"
ANGULAR: ± 2°

CONTACT INFORMATION:
EMAIL: INFO@CONCASTINC.COM
PHONE: (507) 732-4095
FAX: (507) 732-4094

SHEET 1 OF 1

PART NUMBER:

FHREX-18-36-XX