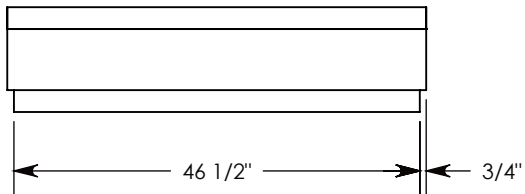
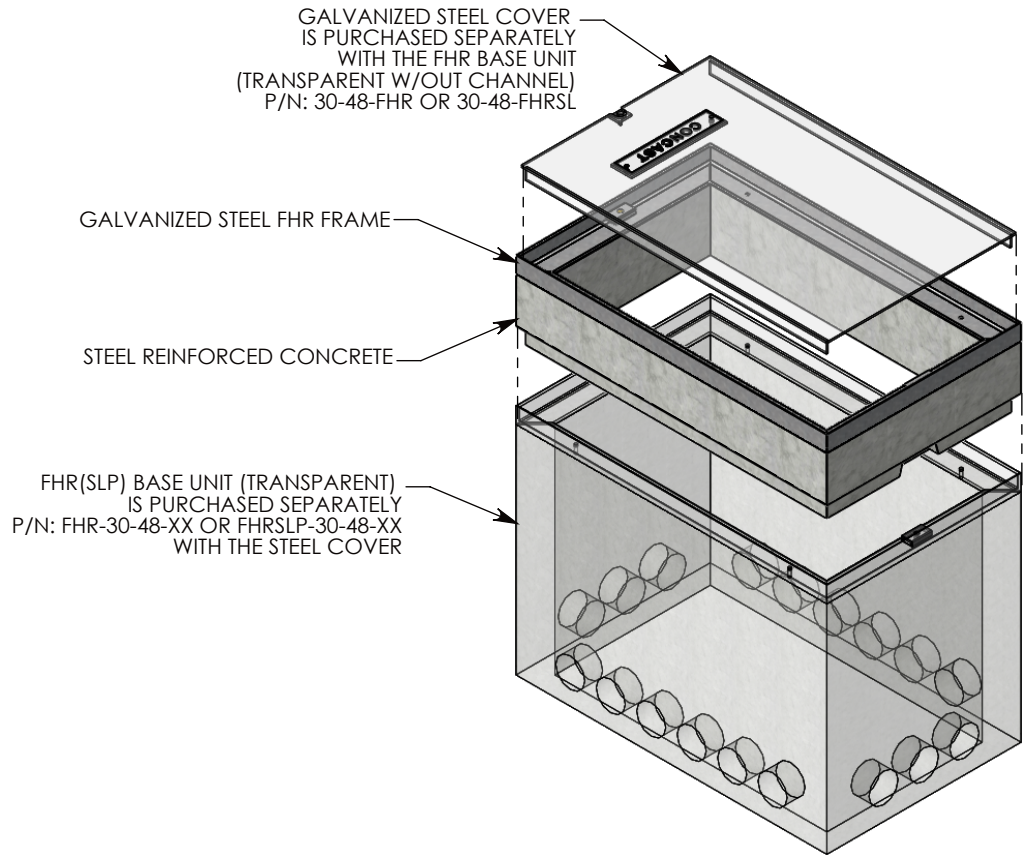
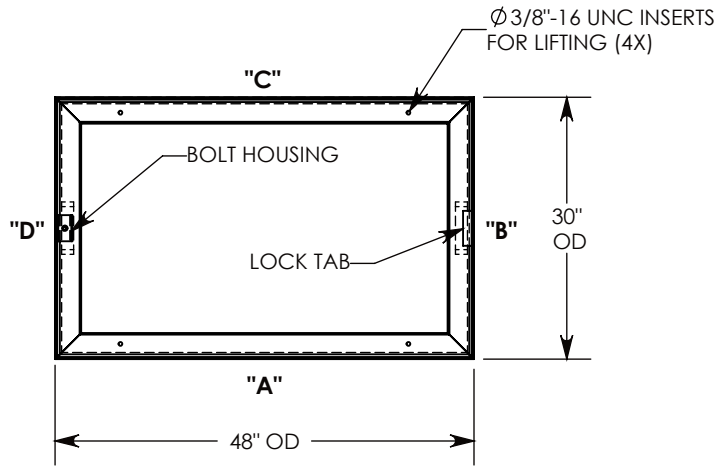
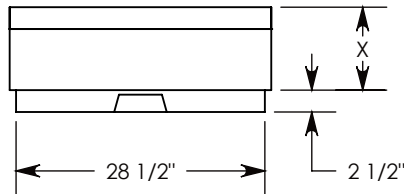


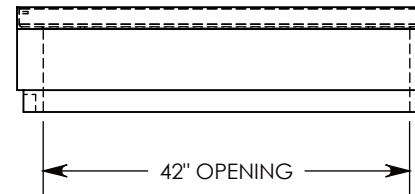
PART NUMBER	"XX" OVERALL HEIGHT	"X" AMOUNT OF EXTENSION	WEIGHT (POUNDS)
FHREX-30-48-12	12"	9.5"	367
FHREX-30-48-18	18"	15.5"	580
FHREX-30-48-24	24"	21.5"	792
FHREX-30-48-30	30"	27.5"	1004
FHREX-30-48-36	36"	33.5"	1217



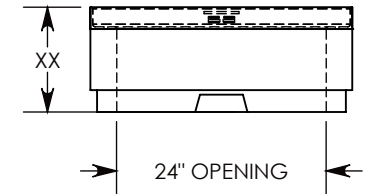
SIDE "A" (HLR)



SIDE "B" (HLR)



SIDE "C"



SIDE "D"

H20 RATED - 32,000 LB. PER AXLE LOAD.

DRAWN BY: ROBIN FLINT

DATE: 4/10/2013

REVISION LEVEL: 0

WEIGHT:

NOTED

MATERIAL:

NOTED

1010 NORTH STAR DRIVE
P.O. BOX 69
ZUMBROTA, MN 55992-0069

DESCRIPTION:

HEAVY TRAFFIC HANDHOLE EXTENSION

DIMENSIONS ARE IN INCHES
TOLERANCES:
FRACTIONAL: ± 1/8"
ANGULAR: ± 2°

CONTACT INFORMATION:
EMAIL: INFO@CONCASTINC.COM
PHONE: (507) 732-4095
FAX: (507) 732-4094

SHEET 1 OF 1

PART NUMBER:

FHREX-30-48-XX