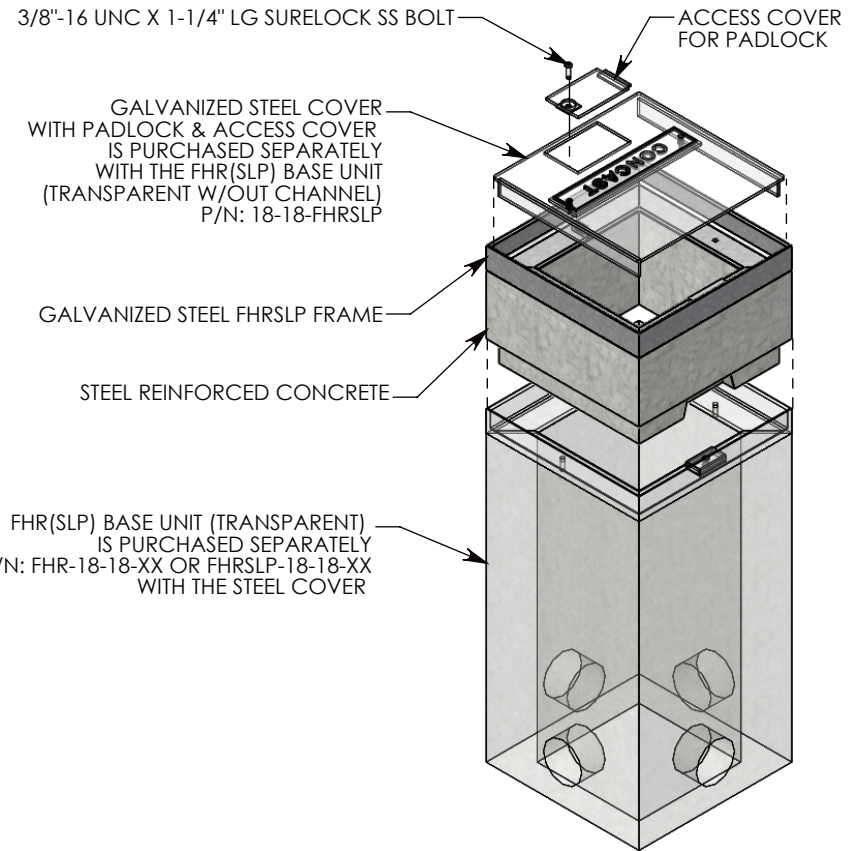
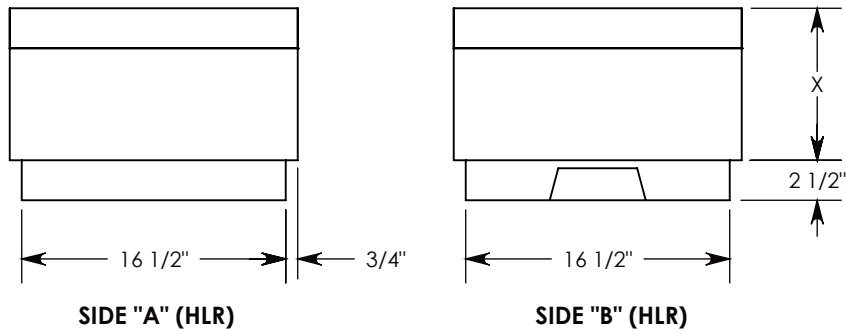
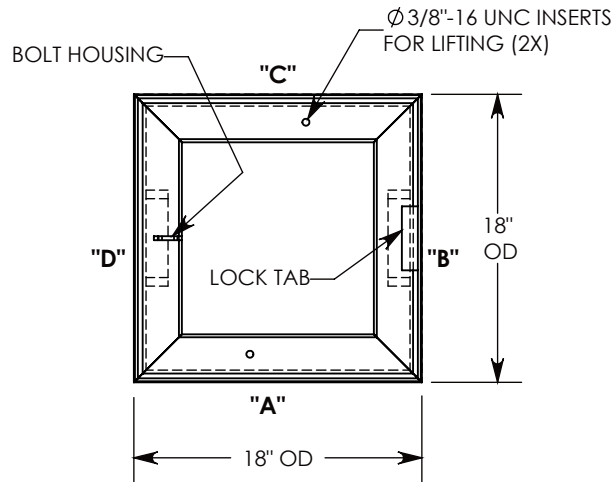


PART NUMBER	"XX" OVERALL HEIGHT	"X" AMOUNT OF EXTENSION	WEIGHT (POUNDS)
FHREXSLP-18-18-12	12"	9.5"	152
FHREXSLP-18-18-18	18"	15.5"	242
FHREXSLP-18-18-24	24"	21.5"	330
FHREXSLP-18-18-30	30"	27.5"	419
FHREXSLP-18-18-36	36"	33.5"	507



H20 RATED - 32,000 LB. PER AXLE LOAD.

<b>DRAWN BY: ROBIN FLINT</b>	
<b>DATE: 4/10/2013</b>	<b>REVISION LEVEL: 0</b>
<b>WEIGHT: 152 LBS.</b>	<b>MATERIAL: NOTED</b>



**CONCAST**  
 1010 NORTH STAR DRIVE  
 P.O. BOX 69  
 ZUMBROTA, MN 55992-0069

<b>DESCRIPTION:</b> <b>PADLOCKING HANDHOLE EXTENSION</b>		
DIMENSIONS ARE IN INCHES TOLERANCES: FRACTIONAL: ± 1/8" ANGULAR: ± 2°	CONTACT INFORMATION: EMAIL: INFO@CONCASTINC.COM PHONE: (507) 732-4095 FAX: (507) 732-4094	SHEET 1 OF 1
<b>PART NUMBER:</b> <b>FHREXSLP-18-18-12</b>		