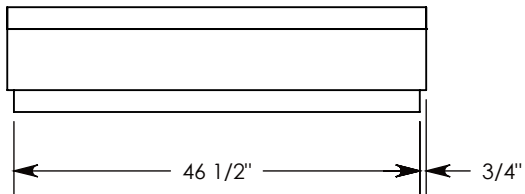
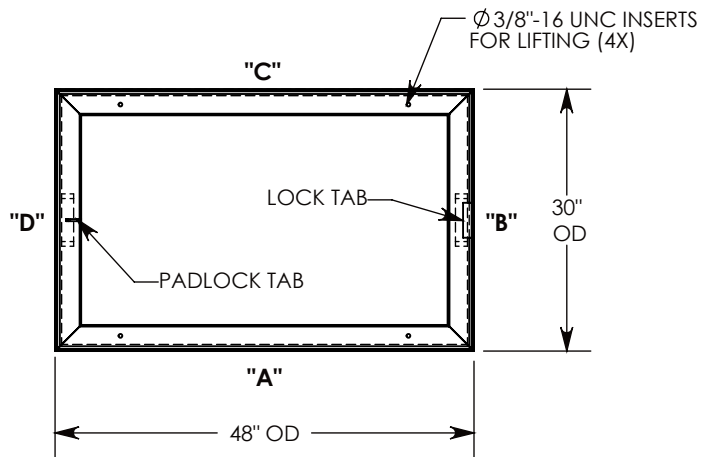
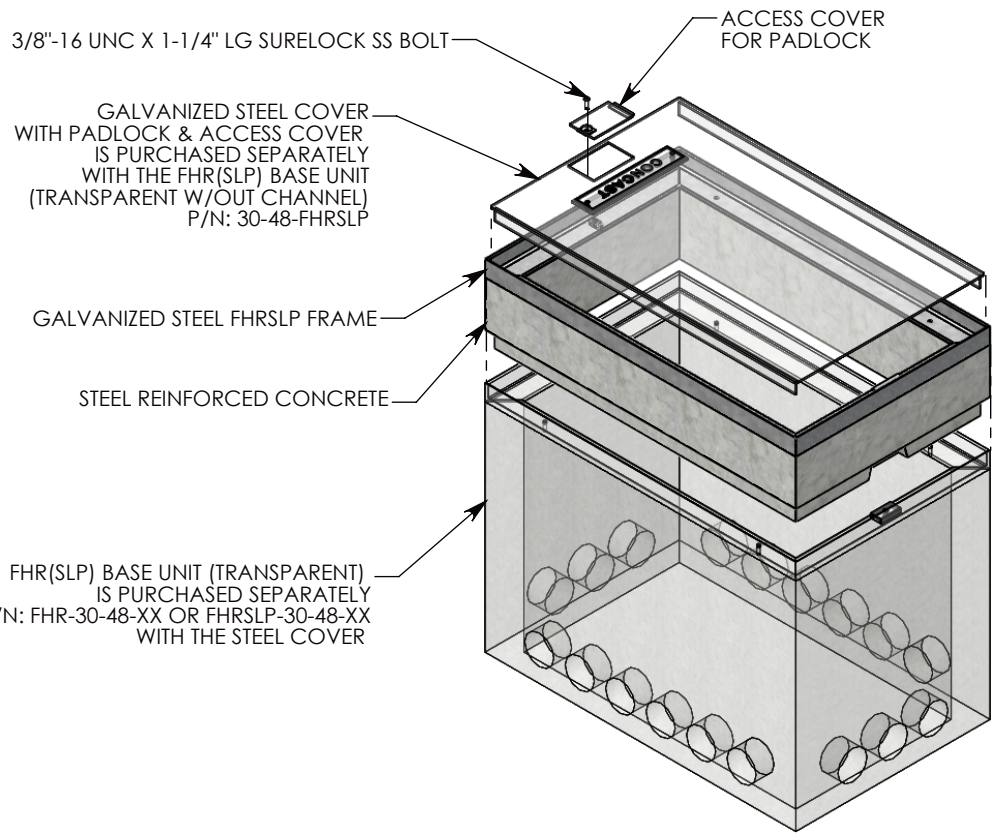
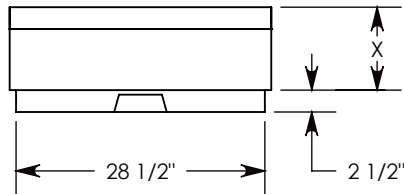


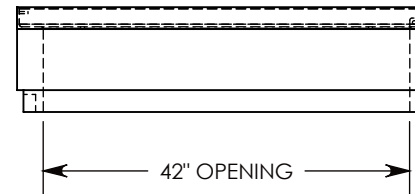
PART NUMBER	"XX" OVERALL HEIGHT	"X" AMOUNT OF EXTENSION	WEIGHT (POUNDS)
FHREXSLP-30-48-12	12"	9.5"	367
FHREXSLP-30-48-18	18"	15.5"	580
FHREXSLP-30-48-24	24"	21.5"	792
FHREXSLP-30-48-30	30"	27.5"	1004
FHREXSLP-30-48-36	36"	33.5"	1217



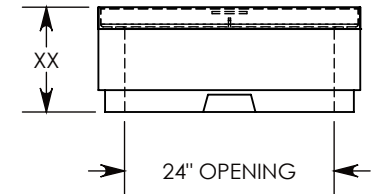
SIDE "A" (HLR)



SIDE "B" (HLR)



SIDE "C"



SIDE "D"

H20 RATED - 32,000 LB. PER AXLE LOAD.

**DRAWN BY: ROBIN FLINT**

**DATE: 4/10/2013**

**REVISION LEVEL: 0**

**WEIGHT:**

**NOTED**

**MATERIAL:**

**NOTED**



**CONCAST**  
 1010 NORTH STAR DRIVE  
 P.O. BOX 69  
 ZUMBROTA, MN 55992-0069

**DESCRIPTION:**

**PADLOCKING HANDHOLE EXTENSION**

DIMENSIONS ARE IN INCHES  
 TOLERANCES:  
 FRACTIONAL: ± 1/8"  
 ANGULAR: ± 2°

CONTACT INFORMATION:  
 EMAIL: INFO@CONCASTINC.COM  
 PHONE: (507) 732-4095  
 FAX: (507) 732-4094

SHEET 1 OF 1

**PART NUMBER:**

**FHREXSLP-30-48-XX**