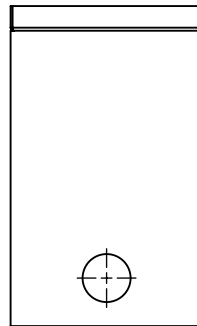
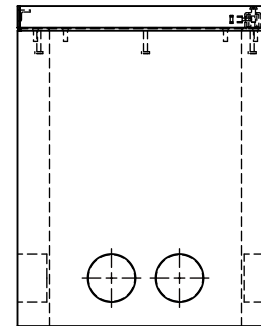


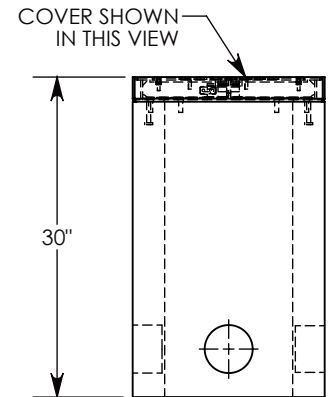
SIDE "A" (HLR)



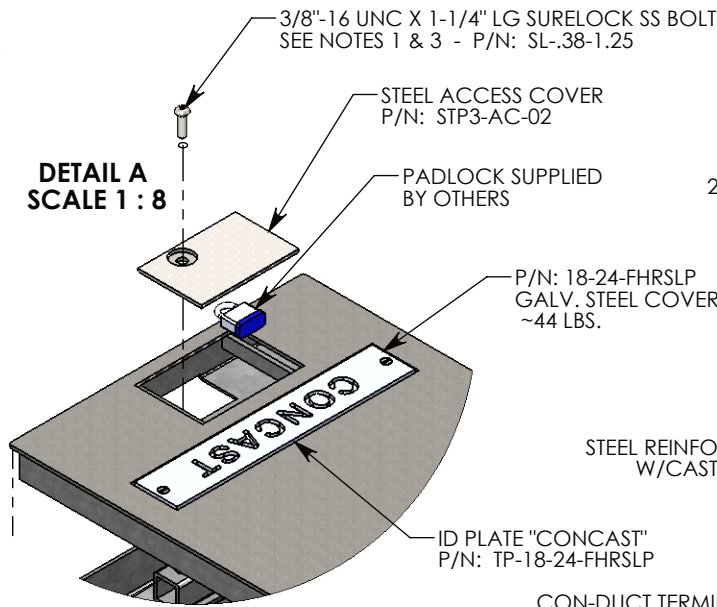
SIDE "B" HLR



SIDE "C"



SIDE "D"



2" ALUMINUM FLOATING NUT  
P/N: FLT-NUT-7

STEEL REINFORCED CONCRETE BASE  
W/CAST-IN GALV. STEEL FRAME  
P/N: FHR-18-24-30-R

CON-DUCT TERMINATIONS ARE CAST INTO BOX  
SIDEWALLS. THEY FIT UP TO 4" PVC PIPE. TO  
ACCESS THE HOLES, BREAK PLASTIC SEAL. SEE NOTE 2.

**NOTE 1:** CUSTOM KEYED FOR LOCKING THE ACCESS COVER. SURELOCK BOLT CAN ONLY BE REMOVED BY USING THE CONCAST SUPPLIED TOOL P/N: 8000SL

**NOTE 2:** FOR PVC SIZES SMALLER THAN 4", USE CONCAST RC41 (REDUCING COUPLER)

**NOTE 3:** TO REPLACE SURELOCK BOLT WITH PENTA HEAD BOLT (P/N: PTA.38-1.5) ORDER UNDER PART NUMBER FHRPP-18-24-30

AASHTO H-20 RATED - 32,000 LB. SINGLE AXLE LOAD

<b>DRAWN BY:</b> TOM JANSEN	
<b>CREATED DATE:</b> 3/29/2010	<b>REVISION LEVEL:</b> A
<b>SAVED DATE:</b> 6/15/2020	<b>SAVED BY:</b> tjansen
<b>WEIGHT:</b> 534 LBS.	<b>MATERIAL:</b> NOTED

1010 NORTH STAR DRIVE  
P.O. BOX 69  
ZUMBROTA, MN 55992-0069

<b>DESCRIPTION:</b> <b>HEAVY TRAFFIC HAND HOLE</b>		
DIMENSIONS ARE IN INCHES TOLERANCES: FRACTIONAL: ± 1/8" ANGULAR: ± 2°	CONTACT INFORMATION: EMAIL: INFO@CONCASTINC.COM PHONE: (507) 732-4095 FAX: (507) 732-4094	SHEET 1 OF 1
<b>PART NUMBER:</b> <b>FHRSLP-18-24-30</b>		