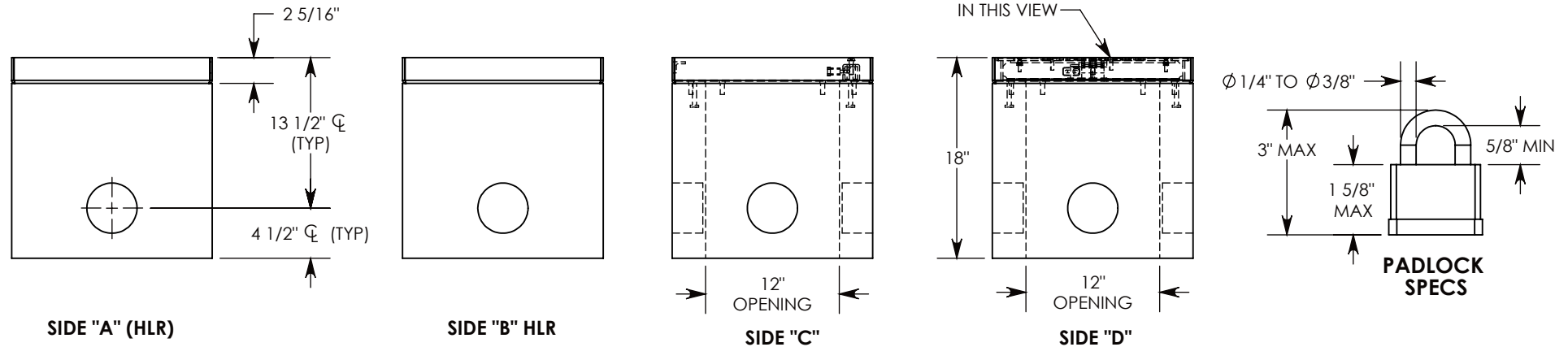


DETAIL A  
SCALE 1 : 8



**NOTE 1:** CUSTOM KEYED FOR LOCKING THE ACCESS COVER. SURELOCK BOLT CAN ONLY BE REMOVED BY USING THE CONCAST SUPPLIED TOOL. P/N: 8000SL  
**NOTE 2:** FOR PVC SIZES SMALLER THAN 4", USE CONCAST RC41(REDUING COUPLER).

H2O RATED - 32,000 LB. PER AXLE LOAD.

DRAWN BY: ROBIN FLINT		 1010 NORTH STAR DRIVE P.O. BOX 69 ZUMBROTA, MN 55992-0069	<b>DESCRIPTION:</b>	
DATE: 4/24/2016	REVISION LEVEL: 0		<b>HEAVY TRAFFIC HANDHOLE</b>	
WEIGHT: 267 LBS. W/COVER	MATERIAL: NOTED		DIMENSIONS ARE IN INCHES TOLERANCES: FRACTIONAL: $\pm$ 1/8" ANGULAR: $\pm$ 2°	CONTACT INFORMATION: EMAIL: INFO@CONCASTINC.COM PHONE: (507) 732-4095 FAX: (507) 732-4094
		<b>PART NUMBER:</b> <b>FHRSLP-18-18-18</b>		