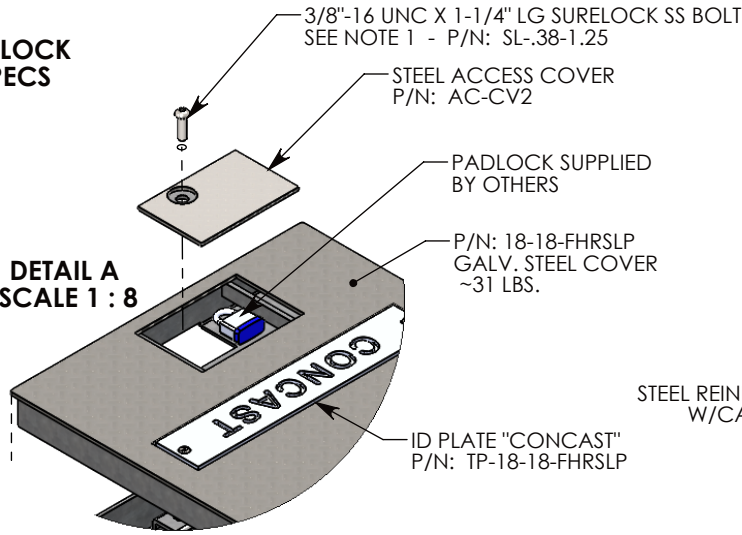


**PADLOCK SPECS**

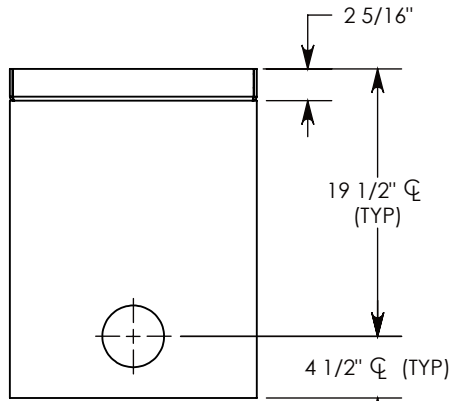
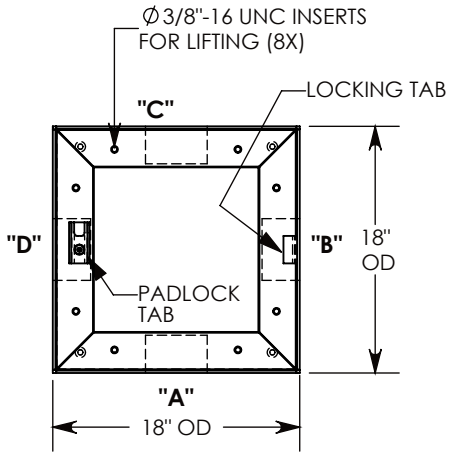
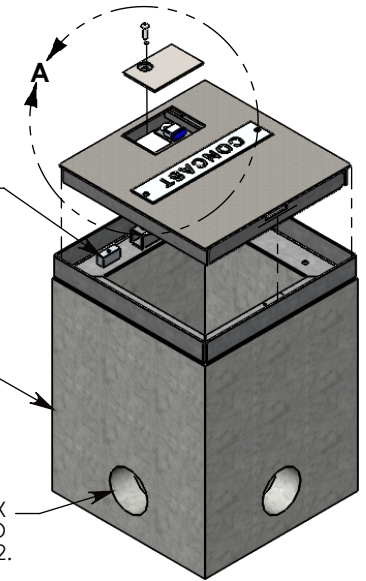
**DETAIL A SCALE 1 : 8**



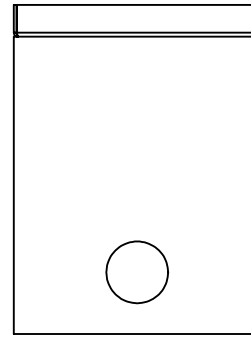
2" ALUMINUM FLOATING NUT  
P/N: FLT-NUT-7

STEEL REINFORCED CONCRETE BASE  
W/CAST-IN GALV. STEEL FRAME  
P/N: FHR-18-18-24-R

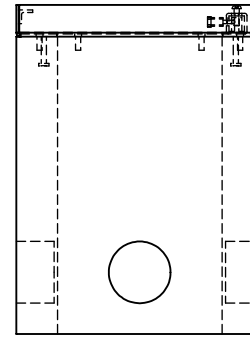
CON-DUCT TERMINATIONS ARE CAST INTO BOX  
SIDEWALLS. THEY FIT UP TO 4" PVC PIPE. TO  
ACCESS THE HOLES, BREAK PLASTIC SEAL. SEE NOTE 2.



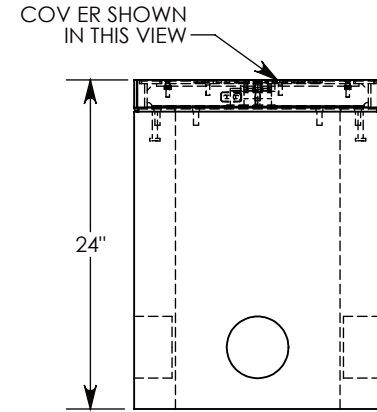
**SIDE "A" (HLR)**



**SIDE "B" HLR**



**SIDE "C"**



**SIDE "D"**

**NOTE 1:** CUSTOM KEYED FOR LOCKING THE ACCESS COVER. SURELOCK BOLT CAN ONLY BE REMOVED BY USING THE CONCAST SUPPLIED TOOL. P/N: 8000SL  
**NOTE 2:** FOR PVC SIZES SMALLER THAN 4", USE CONCAST RC41(REDUING COUPLER).

H20 RATED - 32,000 LB. PER AXLE LOAD.

**DRAWN BY: ROBIN FLINT**

**DATE: 4/24/2016**

**REVISION LEVEL: 0**

**WEIGHT:**

**355 LBS. W/COVER**

**MATERIAL:**

**NOTED**



**DESCRIPTION:**

**HEAVY TRAFFIC HANDHOLE**

DIMENSIONS ARE IN INCHES  
TOLERANCES:  
FRACTIONAL: ± 1/8"  
ANGULAR: ± 2°

CONTACT INFORMATION:  
EMAIL: INFO@CONCASTINC.COM  
PHONE: (507) 732-4095  
FAX: (507) 732-4094

SHEET 1 OF 1

**PART NUMBER:**

**FHRSLP-18-18-24**