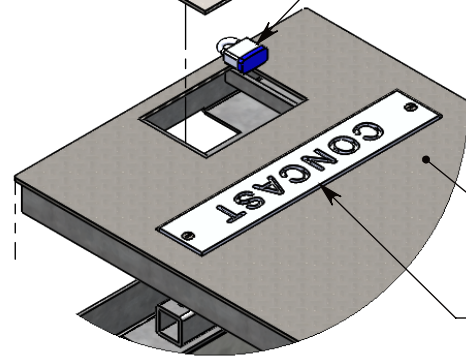


**DETAIL A SCALE 1 : 8**  
 3/8"-16 UNC X 1-1/4" LG SURELOCK SS BOLT  
 SEE NOTE 1 - P/N: SL-38-1.25

STEEL ACCESS COVER  
 P/N: AC-CV2

PADLOCK SUPPLIED  
 BY OTHERS

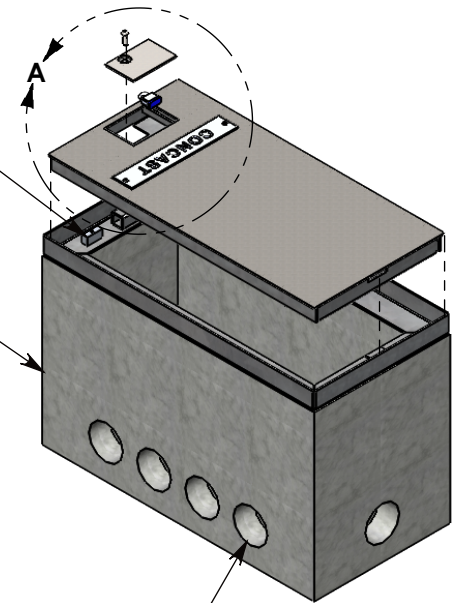
2" ALUMINUM FLOATING NUT  
 P/N: FLT-NUT-7



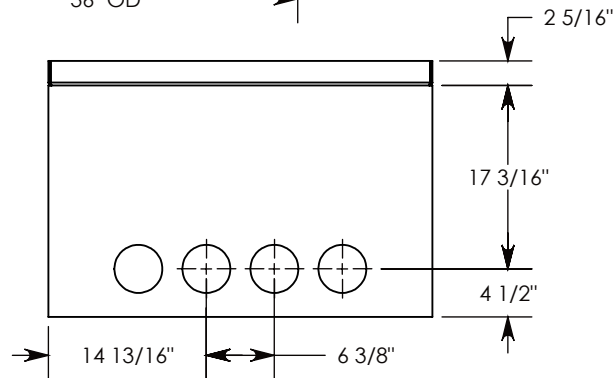
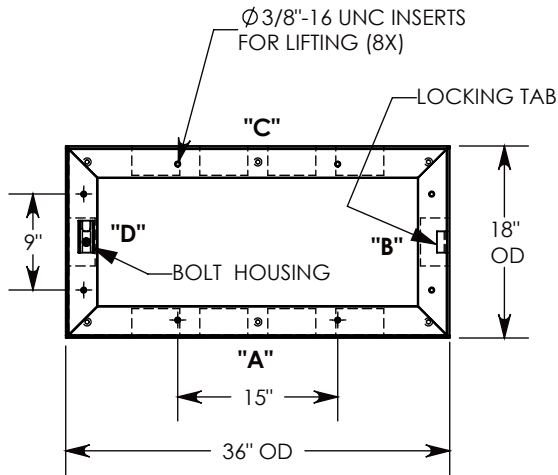
STEEL REINFORCED CONCRETE BASE  
 W/CAST-IN GALV. STEEL FRAME  
 P/N: FHR-18-36-24-R

P/N: 18-36-FHRSLP  
 GALV. STEEL COVER  
 ~63 LBS.

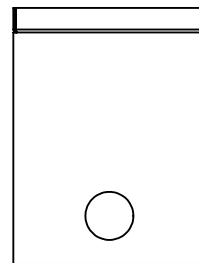
ID PLATE "CONCAST"  
 P/N: LTR-ID



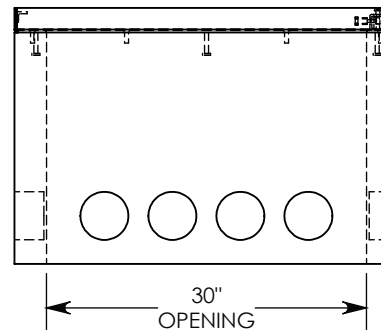
CON-DUCT TERMINATIONS ARE CAST INTO BOX  
 SIDEWALLS. THEY FIT UP TO 4" PVC PIPE. TO  
 ACCESS THE HOLES, BREAK PLASTIC SEAL. SEE NOTE 2.



**SIDE "A" (HLR)**

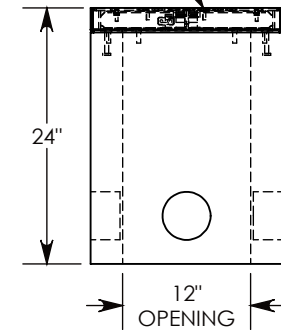


**SIDE "B" HLR**



**SIDE "C"**

COVER SHOWN  
 IN THIS VIEW



**SIDE "D"**

**NOTE 1:** CUSTOM KEYED FOR LOCKING THE ACCESS COVER. SURELOCK BOLT CAN ONLY  
 BE REMOVED BY USING THE CONCAST SUPPLIED TOOL. P/N: 8000SL

**NOTE 2:** FOR PVC SIZES SMALLER THAN 4", USE CONCAST RC41 (REDUCING COUPLER).

H-20 RATED - 32,000 LB. PER AXLE LOAD.

**DRAWN BY: ROBIN FLINT**

**DATE: 4/25/2016**

**REVISION LEVEL: 0**

**WEIGHT:**

**566 LBS. W/COVER**

**MATERIAL:**

**NOTED**



1010 NORTH STAR DRIVE  
 P.O. BOX 69  
 ZUMBROTA, MN 55992-0069

**DESCRIPTION:**

**HEAVY TRAFFIC HANDHOLE**

DIMENSIONS ARE IN INCHES  
 TOLERANCES:  
 FRACTIONAL: ± 1/8"  
 ANGULAR: ± 2°

CONTACT INFORMATION:  
 EMAIL: INFO@CONCASTINC.COM  
 PHONE: (507) 732-4095  
 FAX: (507) 732-4094

SHEET 1 OF 1

**PART NUMBER:**

**FHRSLP-18-36-24**