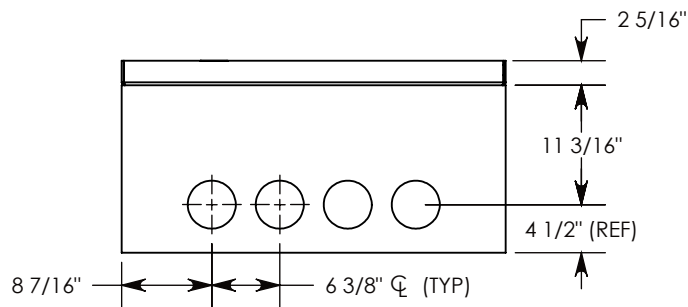
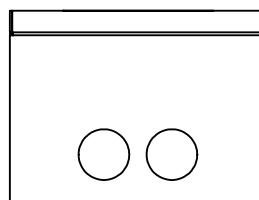


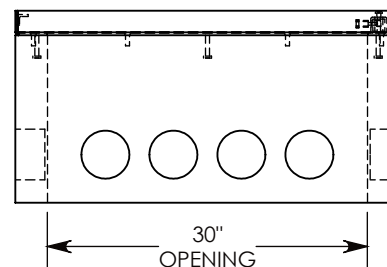
CON-DUCT TERMINATIONS ARE CAST INTO BOX SIDEWALLS. THEY FIT UP TO 4" PVC PIPE. TO ACCESS THE HOLES, BREAK PLASTIC SEAL. SEE NOTE 2.



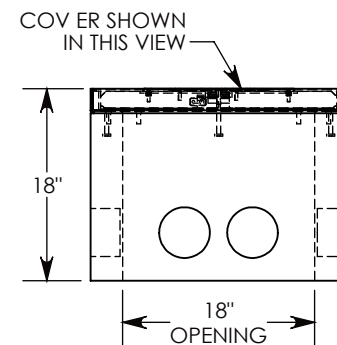
SIDE "A" (HLR)



SIDE "B" HLR



SIDE "C"



SIDE "D"

NOTE 1: CUSTOM KEYED FOR LOCKING THE ACCESS COVER. SURELOCK BOLT CAN ONLY BE REMOVED BY USING THE CONCAST SUPPLIED TOOL. P/N: 8000SL
NOTE 2: FOR PVC SIZES SMALLER THAN 4", USE CONCAST RC41(REDUING COUPLER).

H-20 RATED - 32,000 LB. PER AXLE LOAD.

DRAWN BY: ROBIN FLINT	
DATE: 4/25/2016	REVISION LEVEL: 0
WEIGHT: 495 LBS. W/COVER	MATERIAL: NOTED

1010 NORTH STAR DRIVE
P.O. BOX 69
ZUMBROTA, MN 55992-0069

DESCRIPTION:		
HEAVY TRAFFIC HANDHOLE		
DIMENSIONS ARE IN INCHES TOLERANCES: FRACTIONAL: ± 1/8" ANGULAR: ± 2°	CONTACT INFORMATION: EMAIL: INFO@CONCASTINC.COM PHONE: (507) 732-4095 FAX: (507) 732-4094	SHEET 1 OF 1
PART NUMBER:		
FHRSLP-24-36-18		