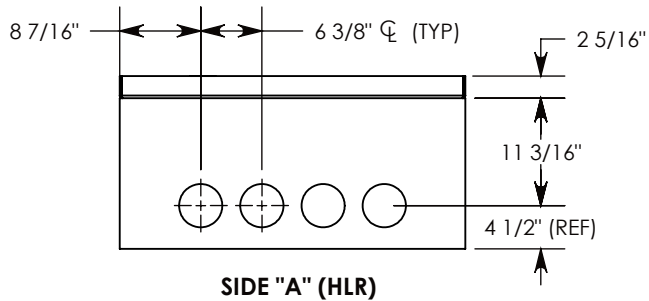
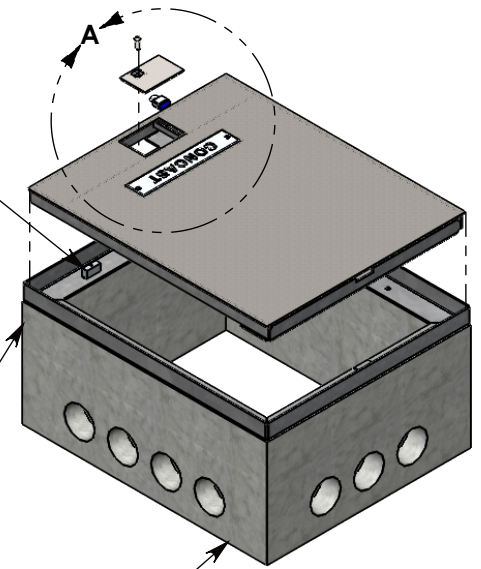
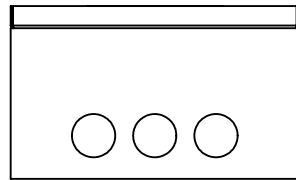


**DETAIL A
SCALE 1 : 10**

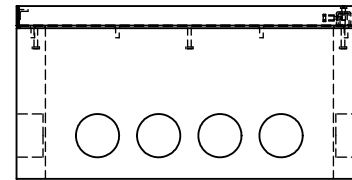
CON-DUCT TERMINATIONS ARE CAST INTO BOX SIDEWALLS. THEY FIT UP TO 4" PVC PIPE. TO ACCESS THE HOLES, BREAK PLASTIC SEAL. SEE NOTE 2.



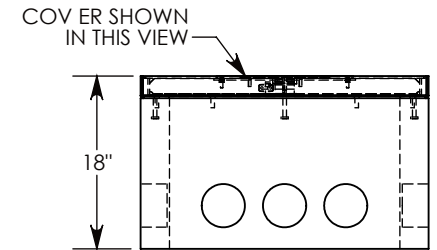
SIDE "A" (HLR)



SIDE "B" HLR



SIDE "C"



SIDE "D"

NOTE 1: CUSTOM KEYED FOR LOCKING THE ACCESS COVER. SURELOCK BOLT CAN ONLY BE REMOVED BY USING THE CONCAST SUPPLIED TOOL. P/N: 8000SL
NOTE 2: FOR PVC SIZES SMALLER THAN 4", USE CONCAST RC41(REDUING COUPLER).

H-20 RATED - 32,000 LB. PER AXLE LOAD.

DRAWN BY: ROBIN FLINT

DATE: 4/25/2016

REVISION LEVEL: 0

WEIGHT:

562 LBS. W/COVER

MATERIAL:

NOTED

CONCAST
 1010 NORTH STAR DRIVE
 P.O. BOX 69
 ZUMBROTA, MN 55992-0069

DESCRIPTION:

HEAVY TRAFFIC HANDHOLE

DIMENSIONS ARE IN INCHES
 TOLERANCES:
 FRACTIONAL: $\pm 1/8''$
 ANGULAR: $\pm 2^\circ$

CONTACT INFORMATION:
 EMAIL: INFO@CONCASTINC.COM
 PHONE: (507) 732-4095
 FAX: (507) 732-4094

SHEET 1 OF 1

PART NUMBER:

FHRSLP-30-36-18