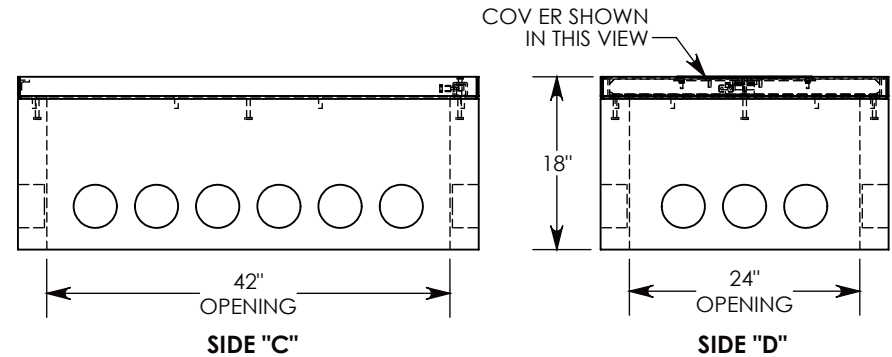
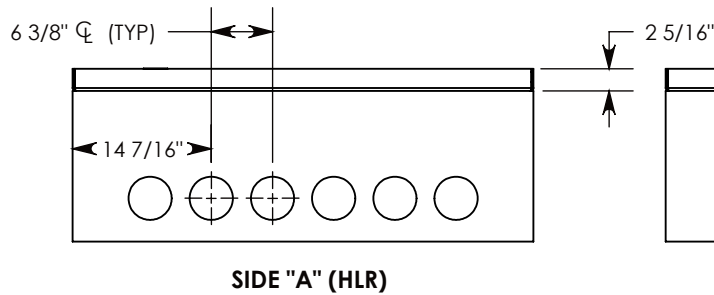
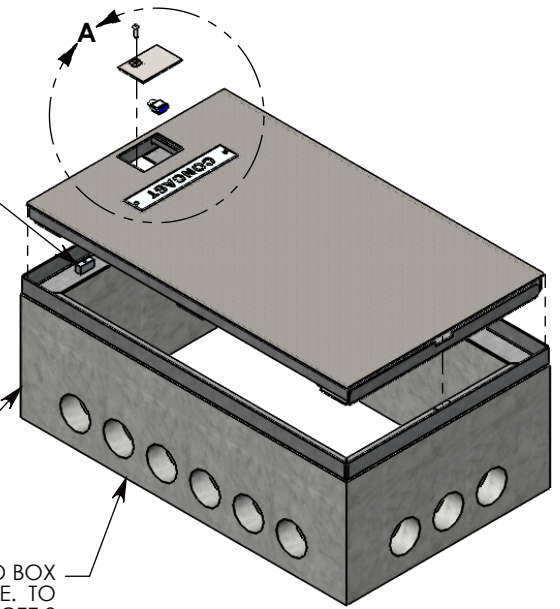


STEEL REINFORCED CONCRETE BASE  
W/CAST-IN GALV. STEEL FRAME  
P/N: FHR-30-48-18-R

CON-DUCT TERMINATIONS ARE CAST INTO BOX  
SIDEWALLS. THEY FIT UP TO 4" PVC PIPE. TO  
ACCESS THE HOLES, BREAK PLASTIC SEAL. SEE NOTE 2.



**NOTE 1:** CUSTOM KEYED FOR LOCKING THE ACCESS COVER. SURELOCK BOLT CAN ONLY BE REMOVED BY USING THE CONCAST SUPPLIED TOOL. P/N: 8000SL  
**NOTE 2:** FOR PVC SIZES SMALLER THAN 4", USE CONCAST RC41(REDUING COUPLER).

H-20 RATED - 32,000 LB. PER AXLE LOAD.

<b>DRAWN BY: ROBIN FLINT</b>	
<b>DATE: 4/26/2016</b>	<b>REVISION LEVEL: 0</b>
<b>WEIGHT: 681 LBS. W/COVER</b>	<b>MATERIAL: NOTED</b>

1010 NORTH STAR DRIVE  
P.O. BOX 69  
ZUMBROTA, MN 55992-0069

<b>DESCRIPTION:</b> <b>HEAVY TRAFFIC HANDHOLE</b>		
DIMENSIONS ARE IN INCHES TOLERANCES: FRACTIONAL: ± 1/8" ANGULAR: ± 2°	CONTACT INFORMATION: EMAIL: INFO@CONCASTINC.COM PHONE: (507) 732-4095 FAX: (507) 732-4094	SHEET 1 OF 1
<b>PART NUMBER:</b> <b>FHRSLP-30-48-18</b>		