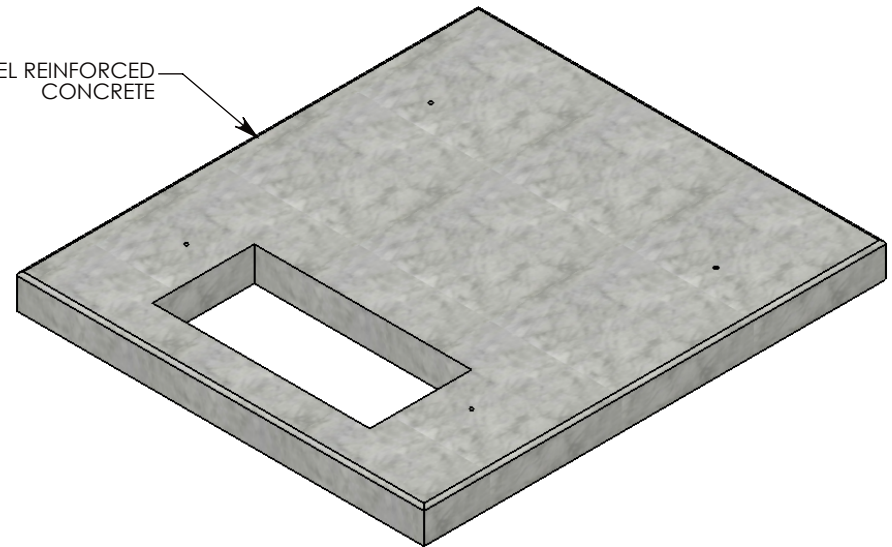
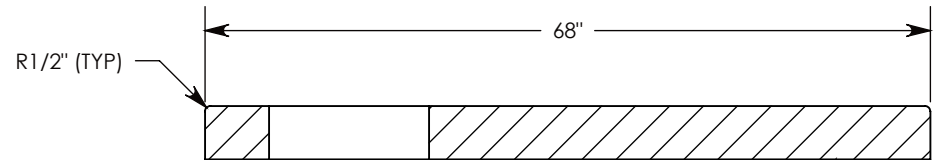
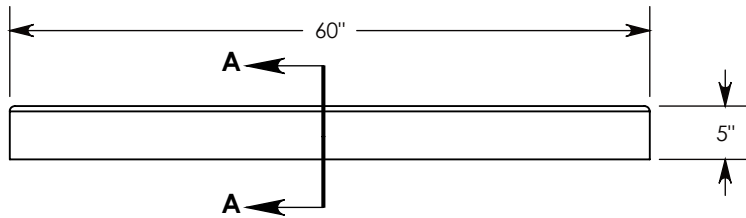


STEEL REINFORCED  
CONCRETE



Ø 1/2"-13 UNC INSERTS  
FOR LIFTING (4X)  
LOCATIONS MAY VARY



**DRAWN BY: ROBIN FLINT**

**DATE: 11/28/2012**

**REVISION LEVEL: 0**

**WEIGHT:**

**1473 LBS.**

**MATERIAL:**

**CONCRETE**



1010 NORTH STAR DRIVE  
P.O. BOX 69  
ZUMBROTA, MN 55992-0069

**DESCRIPTION:**

**SOLID FLAT PAD**

DIMENSIONS ARE IN INCHES  
TOLERANCES:  
FRACTIONAL: ± 1/8"  
ANGULAR: ± 2°

CONTACT INFORMATION:  
EMAIL: INFO@CONCASTINC.COM  
PHONE: (507) 732-4095  
FAX: (507) 732-4094

SHEET 1 OF 1

**PART NUMBER:**

**FPS-60-68-5-3215 (6)**