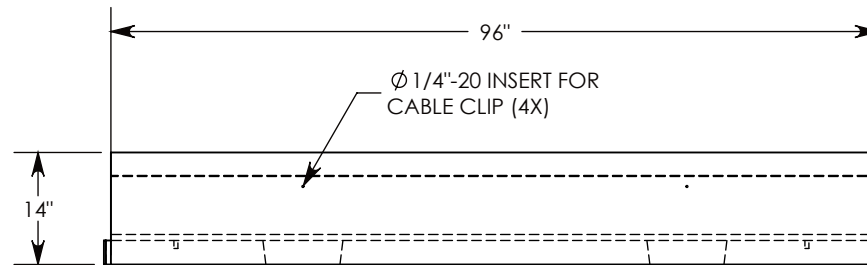
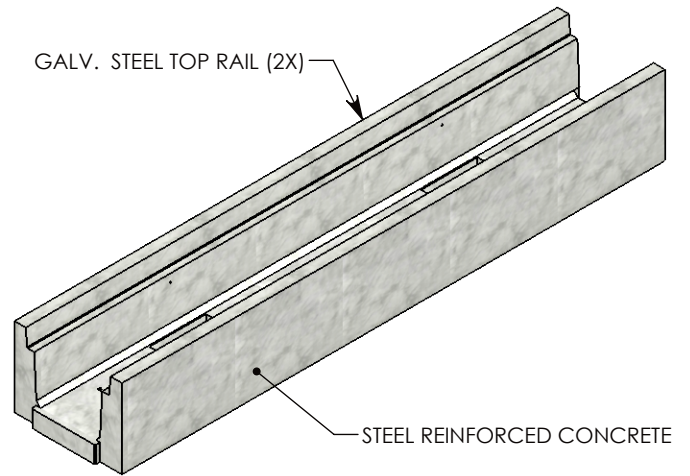


DETAIL A
SCALE 1 : 8



NOTE 1: ALL NON-STANDARD LENGTHS OF CHANNEL WILL BE SOLID BOTTOM AND DESIGNATED WITH ITS CORRESPONDING LENGTH MEASUREMENT. IE: HT1208 32"
NOTE 2: MM#30032870

MAX H-40 RATED - 64,000 LB. PER AXLE LOAD.
 DEPENDENT ON TRENCH COVER RATING

DRAWN BY: ROBIN FLINT	
CREATED DATE: 7/28/2015	REVISION LEVEL: A
SAVED DATE: 12/17/2020	SAVED BY: jgutting
WEIGHT: 976 LBS.	MATERIAL: CONCRETE

CONCAST
 1010 NORTH STAR DRIVE
 P.O. BOX 69
 ZUMBROTA, MN 55992-0069

DESCRIPTION: HEAVY TRAFFIC CHANNEL		SHEET 1 OF 1
DIMENSIONS ARE IN INCHES TOLERANCES: FRACTIONAL: ± 1/8" ANGULAR: ± 2°	CONTACT INFORMATION: EMAIL: INFO@CONCASTINC.COM PHONE: (507) 732-4095 FAX: (507) 732-4094	
PART NUMBER: HT1208		