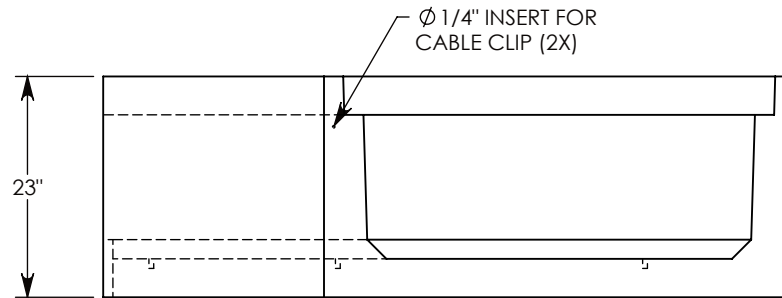
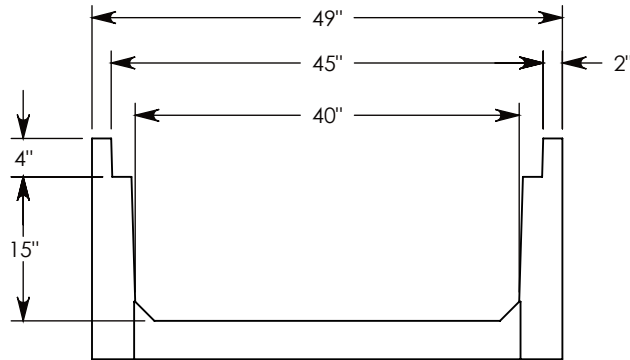
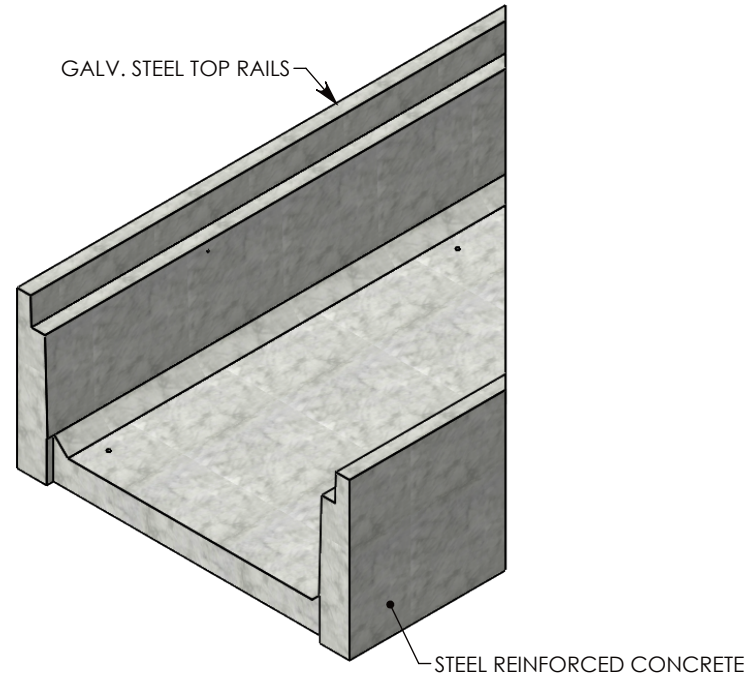
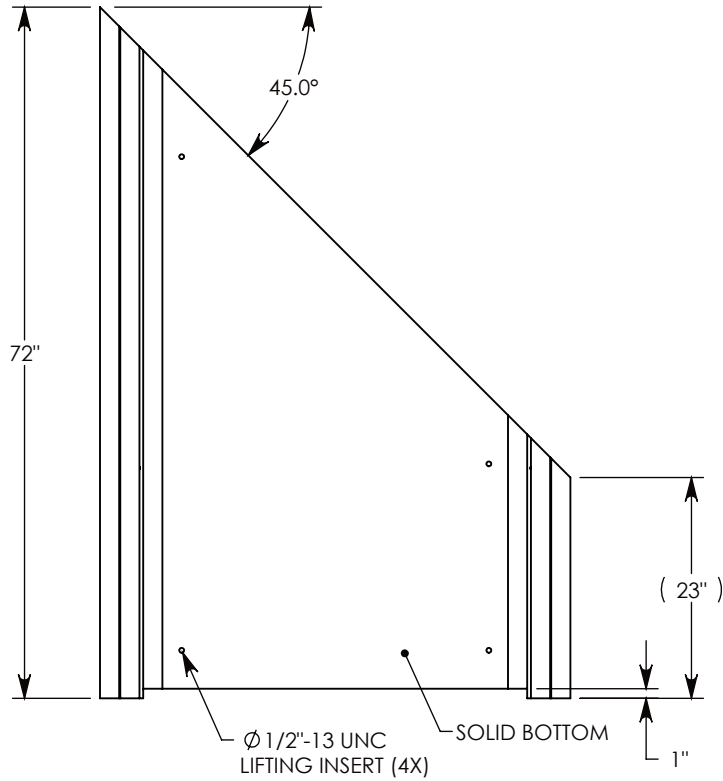


REV. A - SIC - 2/3/2020 - UPDATED LIFTING INSERT PATTERN; UPDATED PART NUMBER  
 REV. B - SIC - 7/17/2020 - UPDATED WEIGHT RATING NOTE; ADDED SOIL BEARING PRESSURE



AASHTO H-20 RATED - 32,000 LB. SINGLE AXLE LOAD  
 MINIMUM ALLOWABLE SOIL BEARING PRESSURE - 3,000 PSF

<b>DRAWN BY: ROBIN FLINT</b>	
<b>CREATED DATE: 3/21/2011</b>	<b>REVISION LEVEL: B</b>
<b>SAVED DATE: 7/17/2020</b>	<b>SAVED BY: scallahan</b>
<b>WEIGHT: 1334 LBS.</b>	<b>MATERIAL: CONCRETE</b>



1010 NORTH STAR DRIVE  
 P.O. BOX 69  
 ZUMBROTA, MN 55992-0069

<b>DESCRIPTION:</b>		SHEET 1 OF 1
<b>HT CHANNEL; 45 DEG. ANGLE</b>		
DIMENSIONS ARE IN INCHES	CONTACT INFORMATION:	
TOLERANCES:	EMAIL: INFO@CONCASTINC.COM	
FRACTIONAL: ± 1/8"	PHONE: (507) 732-4095	
ANGULAR: ± 2°	FAX: (507) 732-4094	
<b>PART NUMBER:</b>		
<b>HT4F4016 45R</b>		