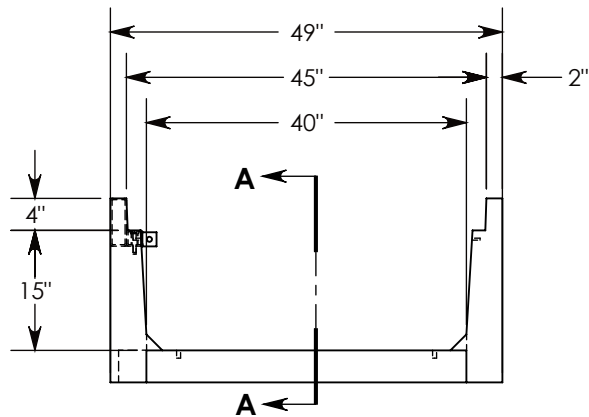
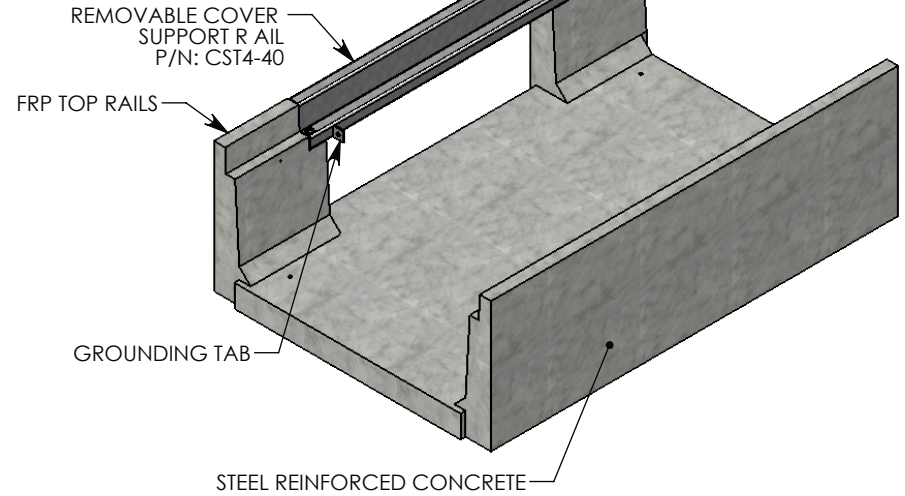
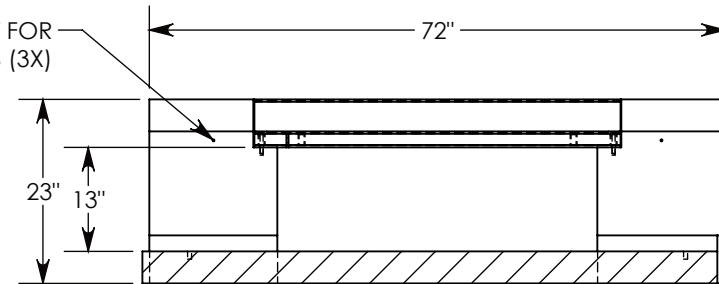


$3/8"$ -16 UNC X 2.50" LG HEX HD BOLT, GRADE 8 (2X)  
 P/N: HHB.38-2.5G8

$3/8"$  STD WASHER - 1" OD (2X)  
 P/N: WSR.38-1



$\phi 1/4"$  INSERT FOR CABLE CLIPS (3X)



**SECTION A-A**

AASHTO H-20 RATED - 32,000 LB. SINGLE AXLE LOAD

**DRAWN BY: TOM JANSEN**

**DATE: 8/27/2019**

**REVISION LEVEL: A**

**WEIGHT:**

**1808 LBS.**

**MATERIAL:**

**NOTED**



**DESCRIPTION:**

**HEAVY TRAFFIC UNIVERSAL CHANNEL**

DIMENSIONS ARE IN INCHES  
 TOLERANCES:  
 FRACTIONAL:  $\pm 1/8"$   
 ANGULAR:  $\pm 2^\circ$

CONTACT INFORMATION:  
 EMAIL: INFO@CONCASTINC.COM  
 PHONE: (507) 732-4095  
 FAX: (507) 732-4094

SHEET 1 OF 1

**PART NUMBER:**

**HT4FU4016 (0X40)**