

REV. A - SIC - 10/21/2020 - ADDED TOP RAIL REDUCTION FEATURE TO CHANGE TOP RAIL TO 2", WAS 3"; REPLACED RIGHT VIEW WITH SECTION A-A; ADDED DETAIL B; REVISED CSTT4 DESIGN

3/8-16 UNC X 2.50" LG HEX HD BOLT, GRADE 8 (2X)
P/N: HHB.38-2.5G8

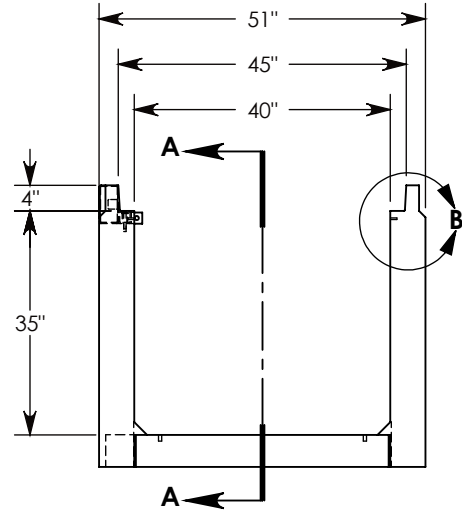
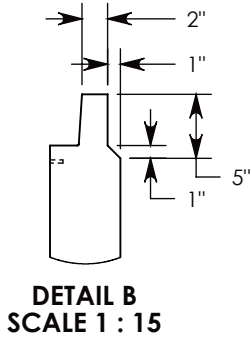
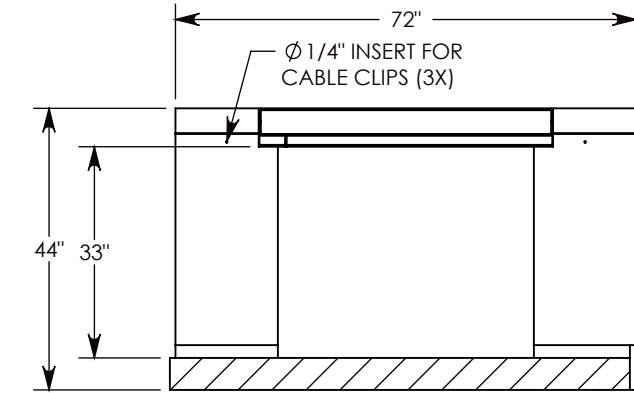
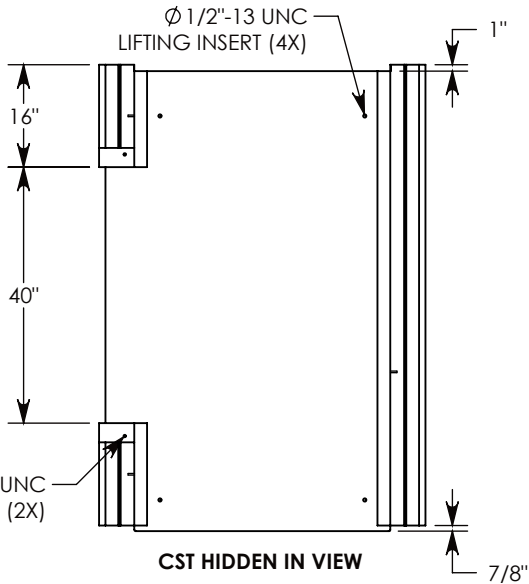
3/8" STD WASHER - 1" OD (2X)
P/N: WSR.38-1

REMOVABLE COVER
SUPPORT RAIL
P/N: CSTT4-40

FRP TOP RAILS

GROUNDING TAB

STEEL REINFORCED CONCRETE



AASHTO H-20 RATED - 32,000 LB. SINGLE AXLE LOAD

DRAWN BY: SAMUEL CALLAHAN

CREATED DATE: 8/28/2019 **REVISION LEVEL: A**

SAVED DATE: 10/21/2020 **SAVED BY: scallahan**

WEIGHT: 3259 LBS. **MATERIAL: NOTED**

1010 NORTH STAR DRIVE
P.O. BOX 69
ZUMBROTA, MN 55992-0069

DESCRIPTION:
HEAVY TRAFFIC UNIVERSAL CHANNEL

DIMENSIONS ARE IN INCHES
TOLERANCES:
FRACTIONAL: ± 1/8"
ANGULAR: ± 2°

CONTACT INFORMATION:
EMAIL: INFO@CONCASTINC.COM
PHONE: (507) 732-4095
FAX: (507) 732-4094

SHEET 1 OF 1

PART NUMBER:
HT4FU4036 (0X40)