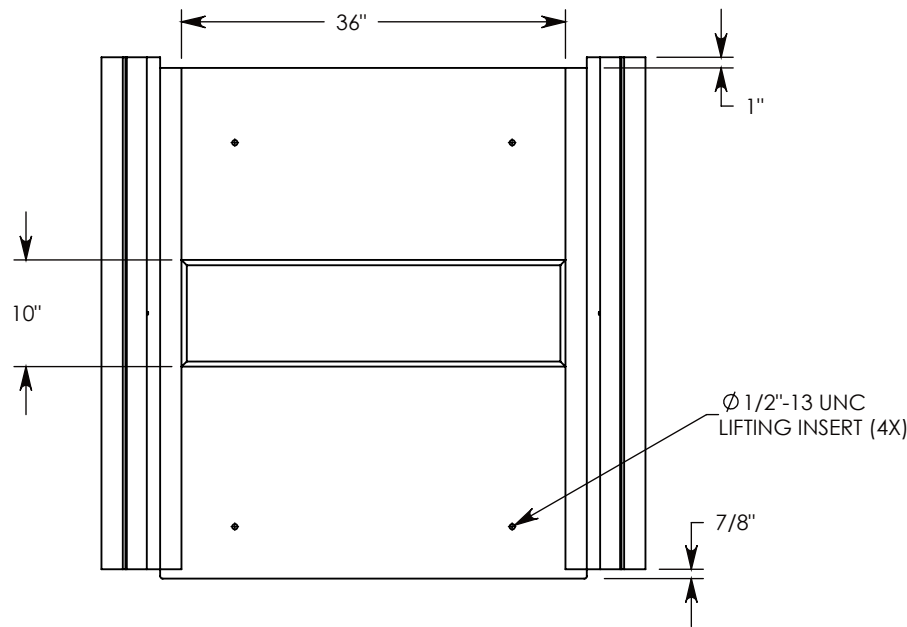
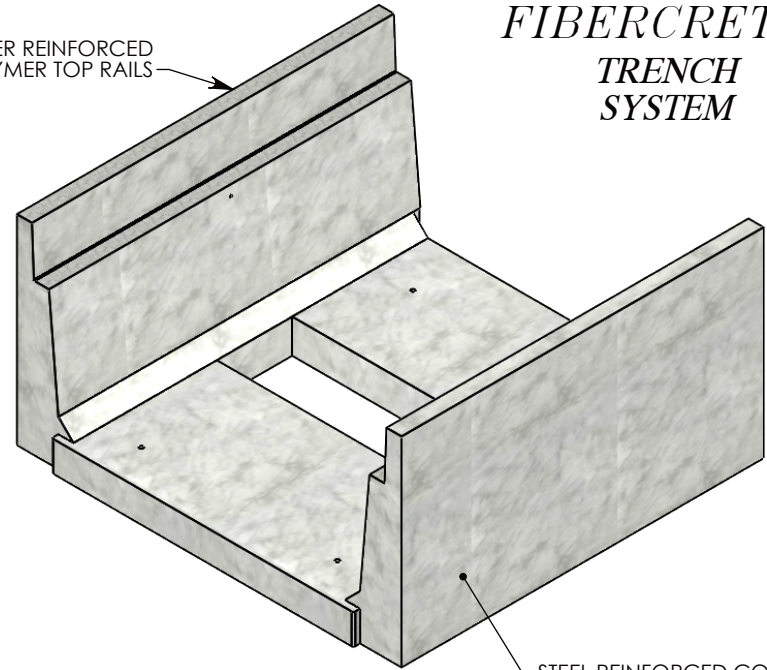


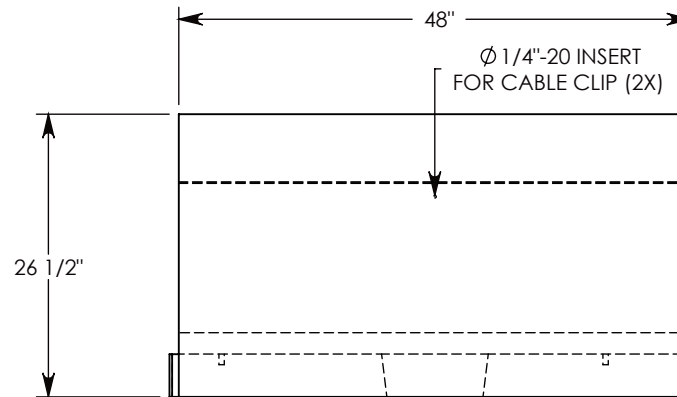
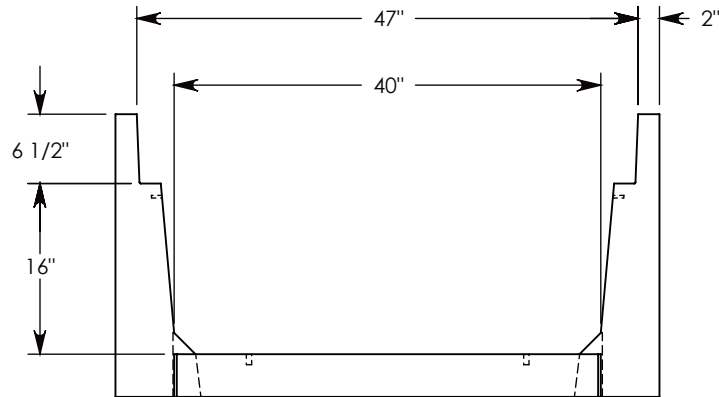
**FIBERCRETE<sup>®</sup>**  
**TRENCH**  
**SYSTEM**



FIBER REINFORCED  
 POLYMER TOP RAILS



STEEL REINFORCED CONCRETE



NOTE: FOR NON-STANDARD LENGTHS THE CHANNEL WILL BE SOLID BOTTOM AND DESIGNATED WITH ITS CORRESPONDING LENGTH MEASUREMENT. IE: 804016HT 32"

AASHTO H-20 RATED – 32,000 LB. SINGLE AXLE LOAD

**DRAWN BY: ROSS LAGER**

**DATE: 11/13/2017**

**REVISION LEVEL: 0**

**WEIGHT:**

**1437 LBS.**

**MATERIAL:**

**CONCRETE**



**DESCRIPTION:**

**HEAVY TRAFFIC CHANNEL**

DIMENSIONS ARE IN INCHES  
 TOLERANCES:  
 FRACTIONAL: ± 1/8"  
 ANGULAR: ± 2°

CONTACT INFORMATION:  
 EMAIL: INFO@CONCASTINC.COM  
 PHONE: (507) 732-4095  
 FAX: (507) 732-4094

SHEET 1 OF 1

**PART NUMBER:**

**HT6F4016 48"**