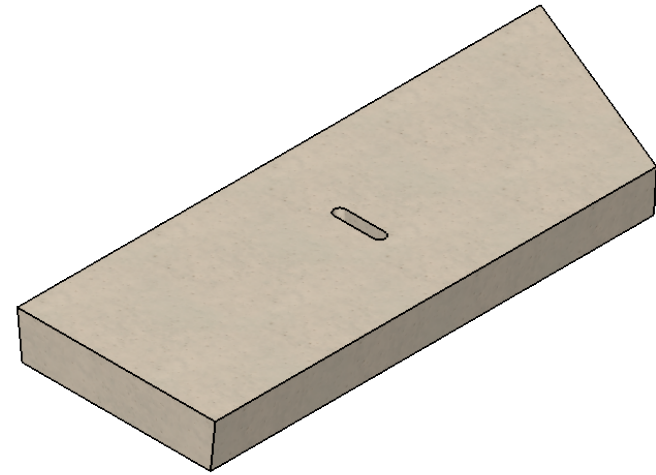
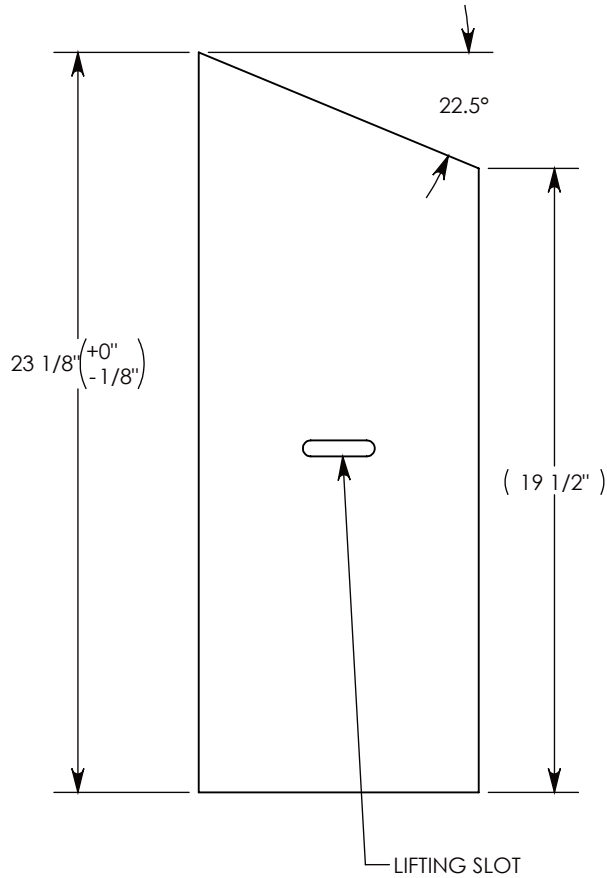
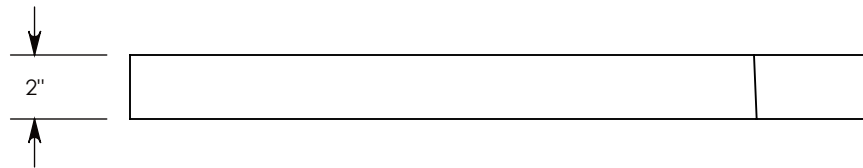
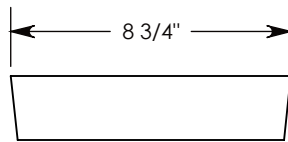


REV. A - RAL - 2/9/2018 - ADDED RECESS AND THRU HOLES, CHANGED LENGTH TO 24"
 REV. B - JCG - 8/23/2021 - REMOVED INSERT, ADDED LIFTING SLOT



COVER ASSEMBLES ONTO 6" INSIDE WIDTH
 HEAVY TRAFFIC RATED CONCAST HT3 CHANNEL



AASHTO H-20 RATED – 32,000 LB. SINGLE AXLE LOAD

DRAWN BY: JESSE GUTTING	
CREATED DATE: 8/22/2002	REVISION LEVEL: B
SAVED DATE: 8/23/2021	SAVED BY: jgutting
WEIGHT: 26 LBS.	MATERIAL: POLYMER



CONCAST
 1010 NORTH STAR DRIVE
 P.O. BOX 69
 ZUMBROTA, MN 55992-0069

DESCRIPTION: HEAVY TRAFFIC COVER		SHEET 1 OF 1
<small>DIMENSIONS ARE IN INCHES</small>	<small>CONTACT INFORMATION:</small>	
<small>TOLERANCES: FRACTIONAL: $\pm 1/8''$ ANGULAR: $\pm 2^\circ$</small>	<small>EMAIL: INFO@CONCASTINC.COM PHONE: (507) 732-4095 FAX: (507) 732-4094</small>	
PART NUMBER: HTCP06 22.5R		