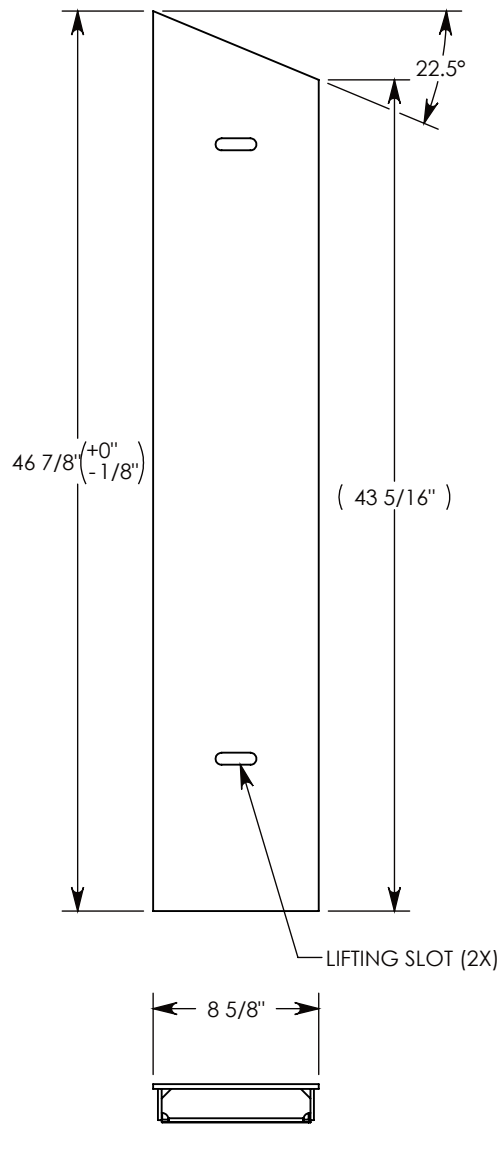
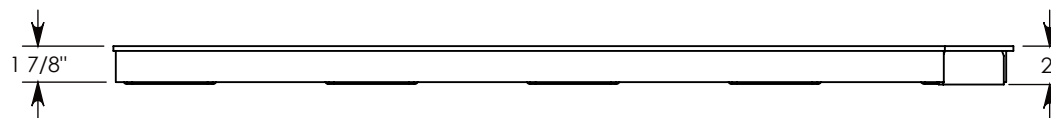
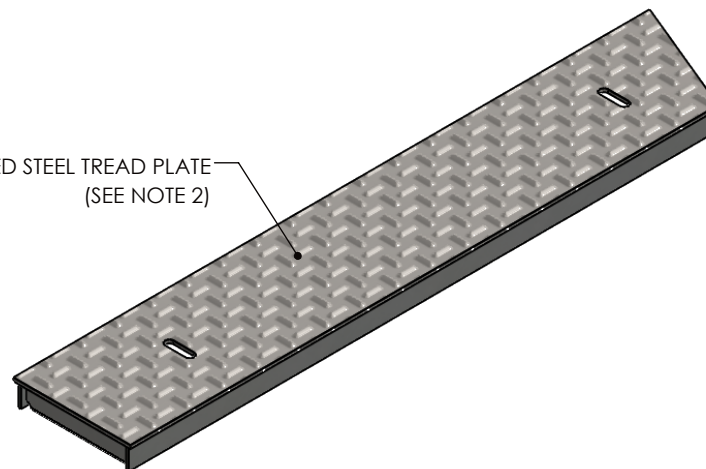


COVER ASSEMBLES ONTO 6" INSIDE WIDTH
HEAVY TRAFFIC RATED CONCAST CHANNEL



GALVANIZED STEEL TREAD PLATE
(SEE NOTE 2)



NOTE 1: FOR NON-STANDARD LENGTHS THE PART NUMBER WILL CORRESPOND TO ITS MEASURED LENGTH IE: HTCSG06 22.5R 16"

NOTE 2: TREAD ON DIAMOND PLATE ADDS $1/8$ " TO THE OVERALL HEIGHT

AASHTO H-40 RATED - 64,000 LB. SINGLE AXLE LOAD

DRAWN BY: SAMUEL CALLAHAN	
CREATED DATE: 3/30/2020	REVISION LEVEL: 0
SAVED DATE: 3/30/2020	SAVED BY: scallahan
WEIGHT: 49 LBS.	MATERIAL: WELDED GALV. STEEL

 **CONCAST**
1010 NORTH STAR DRIVE
P.O. BOX 69
ZUMBROTA, MN 55992-0069

DESCRIPTION: HEAVY TRAFFIC GALV. STEEL COVER		SHEET 1 OF 2
DIMENSIONS ARE IN INCHES TOLERANCES: FRACTIONAL: $\pm 1/8$ " ANGULAR: $\pm 2^\circ$	CONTACT INFORMATION: EMAIL: INFO@CONCASTINC.COM PHONE: (507) 732-4095 FAX: (507) 732-4094	
PART NUMBER: HTCSG06 22.5R		