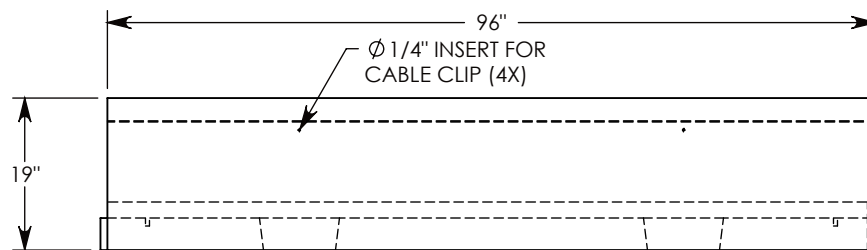
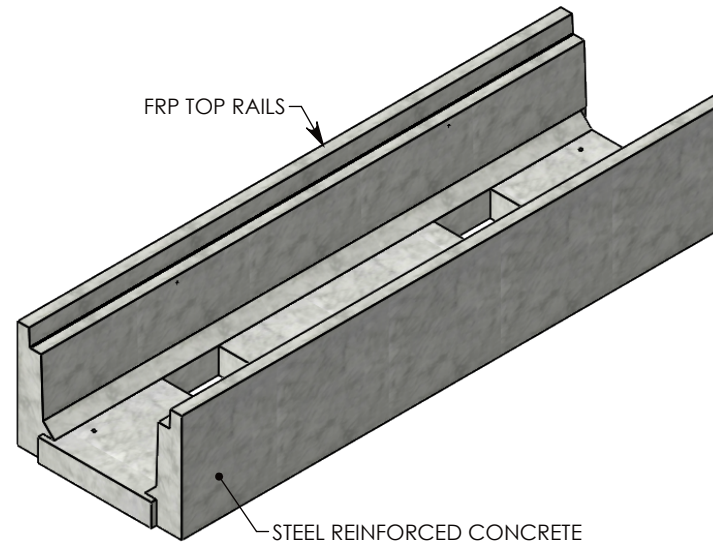
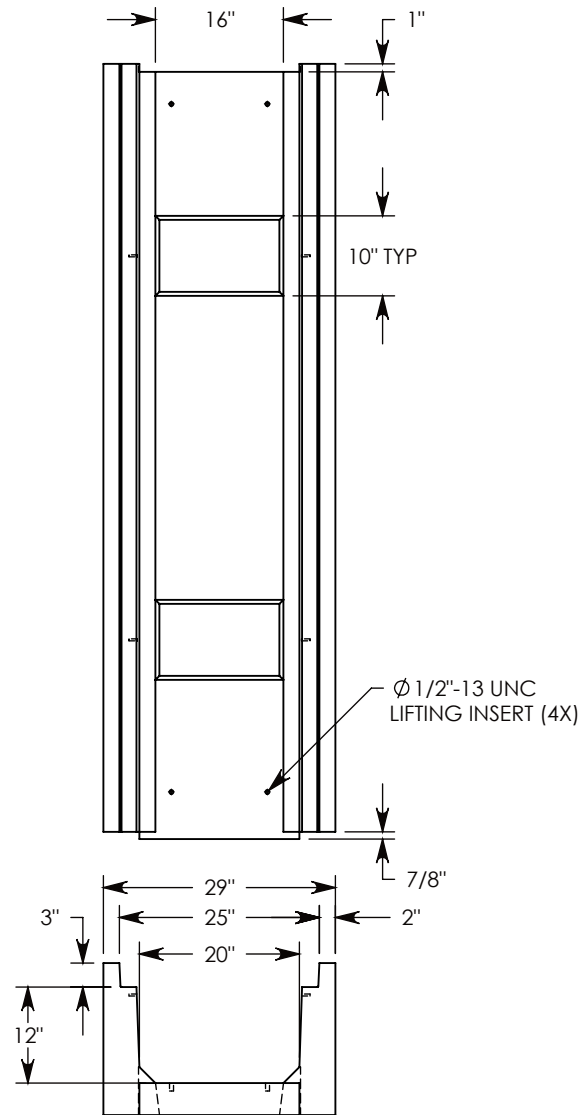


REV. A - RAL - 12/1/2017 - UPDATED TOP RAIL NOTE  
 REV. B - SIC - 10/22/2019 - CHANGED WEIGHT RATING TO MAX H-40, WAS H-20;  
 REV. C - SIC - 7/10/2020 - UPDATED WEIGHT RATING NOTE; ADDED SOIL BEARING PRESSURES



**NOTE 1:** FOR NON-STANDARD LENGTHS THE CHANNEL WILL BE SOLID BOTTOM AND DESIGNATED WITH ITS CORRESPONDING LENGTH MEASUREMENT. IE: HTF2012 32"

MAX AASHTO H-40 RATED - 64,000 LB. SINGLE AXLE LOAD  
 DEPENDENT ON TRENCH COVER RATING  
 MINIMUM ALLOWABLE SOIL BEARING PRESSURE - H-40: 4,000 PSF; H-20: 3,000 PSF

<b>DRAWN BY: ROBIN FLINT</b>	
<b>CREATED DATE: 3/21/2011</b>	<b>REVISION LEVEL: C</b>
<b>SAVED DATE: 7/10/2020</b>	<b>SAVED BY: scallahan</b>
<b>WEIGHT: 1765 LBS.</b>	<b>MATERIAL: CONCRETE</b>

1010 NORTH STAR DRIVE  
 P.O. BOX 69  
 ZUMBROTA, MN 55992-0069

<b>DESCRIPTION:</b>		SHEET 1 OF 1
<b>HEAVY TRAFFIC CHANNEL</b>		
DIMENSIONS ARE IN INCHES	CONTACT INFORMATION:	
TOLERANCES:	EMAIL: INFO@CONCASTINC.COM	
FRACTIONAL: ± 1/8" ANGULAR: ± 2°	PHONE: (507) 732-4095 FAX: (507) 732-4094	
<b>PART NUMBER:</b>		
<b>HTF2012</b>		