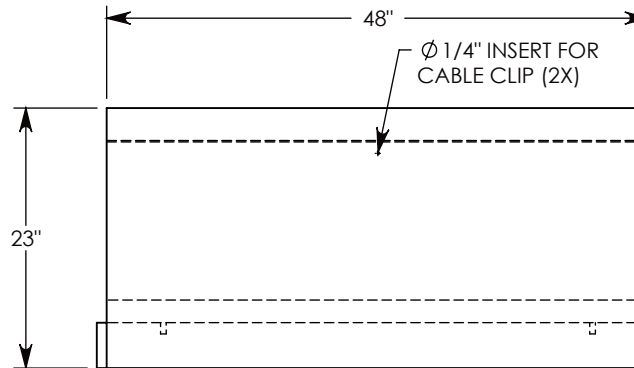
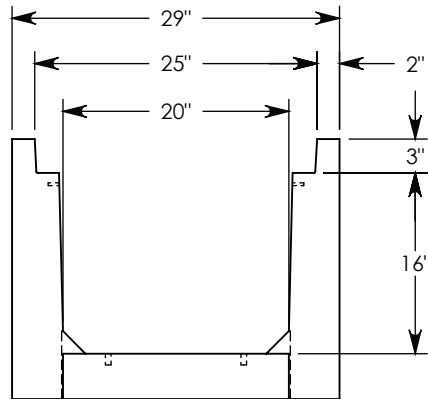
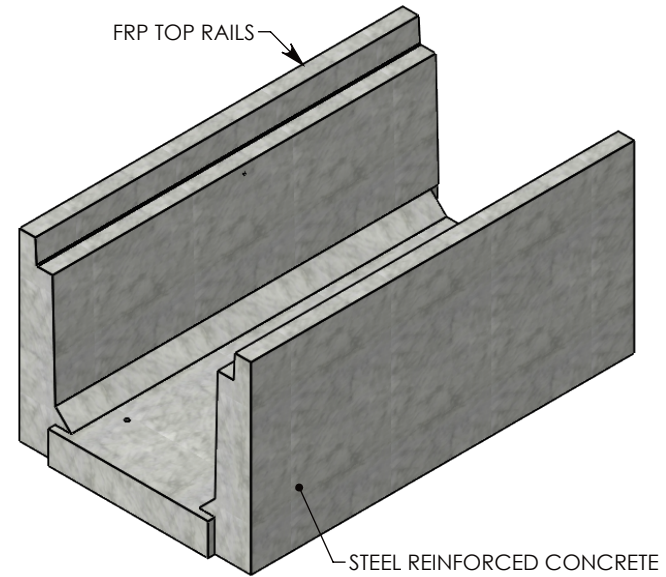
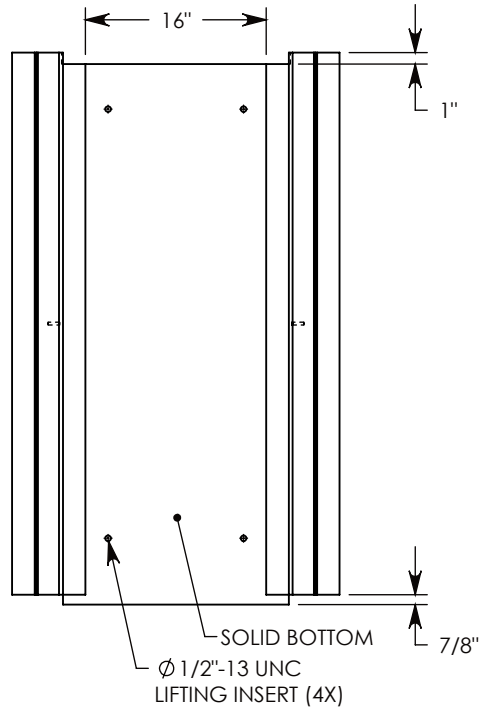


REV B. - JCG - 8/23/18 - UPDATED NOTES

REV C. - SIC - 7/13/2020 - UPDATED ANNOTATIONS; UPDATED WEIGHT RATING NOTE; ADDED SOIL BEARING PRESSURES



MAX AASHTO H-40 RATED - 64,000 LB. SINGLE AXLE LOAD  
DEPENDENT ON TRENCH COVER RATING

MINIMUM ALLOWABLE SOIL BEARING PRESSURE - H-40: 3,500 PSF; H-20: 3,000 PSF

**NOTE 1:** FOR NON-STANDARD LENGTHS THE CHANNEL WILL BE SOLID BOTTOM AND DESIGNATED WITH ITS CORRESPONDING LENGTH MEASUREMENT. IE: HTF2016 32"

<b>DRAWN BY: ROBIN FLINT</b>	
<b>CREATED DATE: 3/21/2011</b>	<b>REVISION LEVEL: C</b>
<b>SAVED DATE: 7/13/2020</b>	<b>SAVED BY: scallahan</b>
<b>WEIGHT: 1067 LBS.</b>	<b>MATERIAL: CONCRETE</b>



**CONCAST**  
1010 NORTH STAR DRIVE  
P.O. BOX 69  
ZUMBROTA, MN 55992-0069

<b>DESCRIPTION:</b> <b>HEAVY TRAFFIC CHANNEL</b>		SHEET 1 OF 1
DIMENSIONS ARE IN INCHES TOLERANCES: FRACTIONAL: ± 1/8" ANGULAR: ± 2°	CONTACT INFORMATION: EMAIL: INFO@CONCASTINC.COM PHONE: (507) 732-4095 FAX: (507) 732-4094	
<b>PART NUMBER:</b> <b>HTF2016SB 48"</b>		