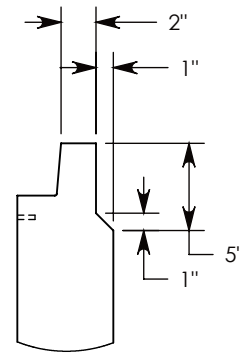
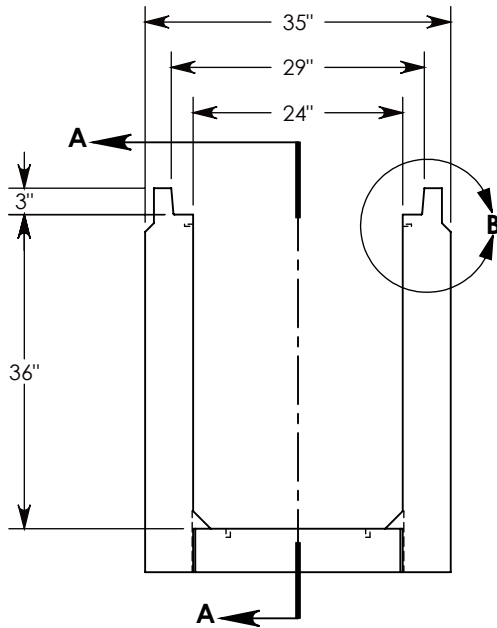
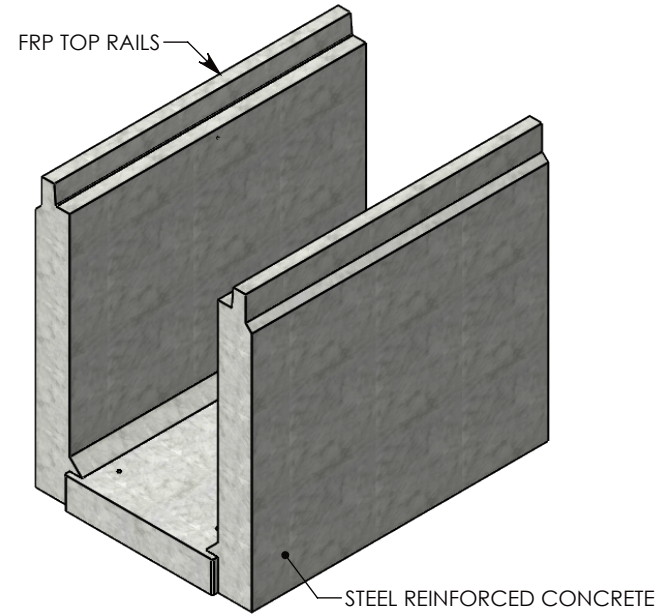
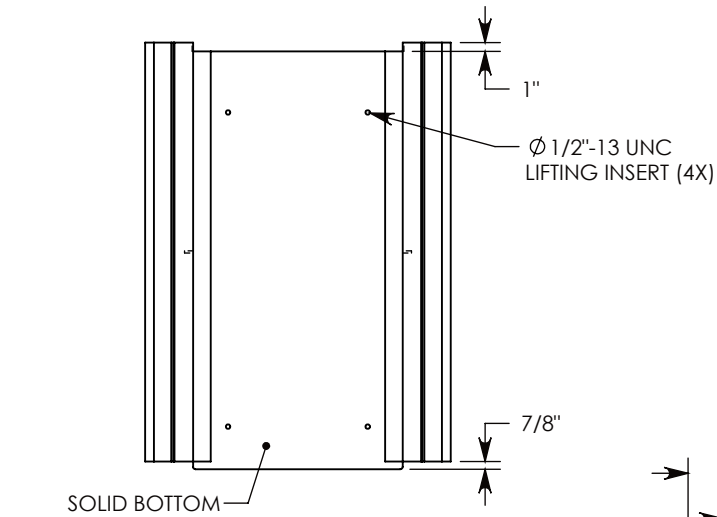
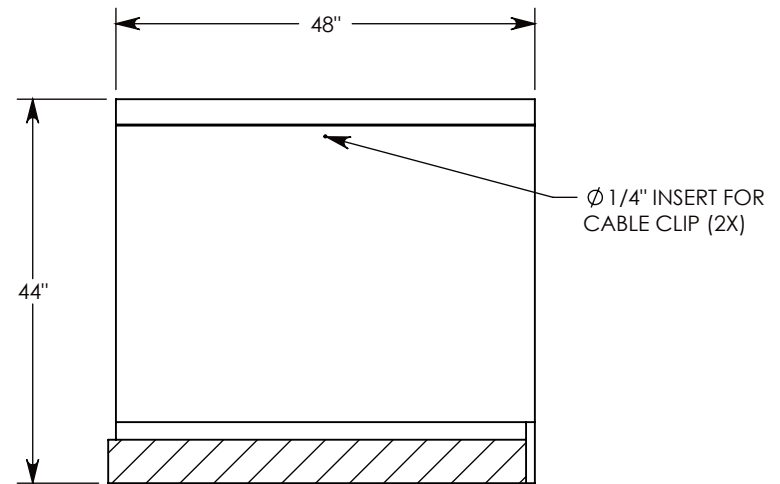


REV. A - SIC - 10/8/2020 - ADDED TOP RAIL REDUCTION FEATURE TO CHANGE TOP RAIL TO 2", WAS 3"; REPLACED RIGHT VIEW WITH SECTION A-A; ADDED DETAIL B



DETAIL B  
SCALE 1 : 11



SECTION A-A

NOTE 1: FOR NON-STANDARD LENGTHS THE CHANNEL WILL BE SOLID BOTTOM AND DESIGNATED WITH ITS CORRESPONDING LENGTH MEASUREMENT. IE: HTF2436 36"

AASHTO H-20 RATED – 32,000 LB. SINGLE AXLE LOAD

DRAWN BY: SAMUEL CALLAHAN

CREATED DATE: 8/15/2019 REVISION LEVEL: A

SAVED DATE: 10/8/2020 SAVED BY: scallahan

WEIGHT: 2297 LBS. MATERIAL: CONCRETE

1010 NORTH STAR DRIVE  
P.O. BOX 69  
ZUMBROTA, MN 55992-0069

DESCRIPTION:  
HEAVY TRAFFIC CHANNEL

DIMENSIONS ARE IN INCHES  
TOLERANCES:  
FRACTIONAL:  $\pm 1/8$ "  
ANGULAR:  $\pm 2^\circ$

CONTACT INFORMATION:  
EMAIL: INFO@CONCASTINC.COM  
PHONE: (507) 732-4095  
FAX: (507) 732-4094

SHEET 1 OF 1

PART NUMBER:  
HTF2436SB 48"