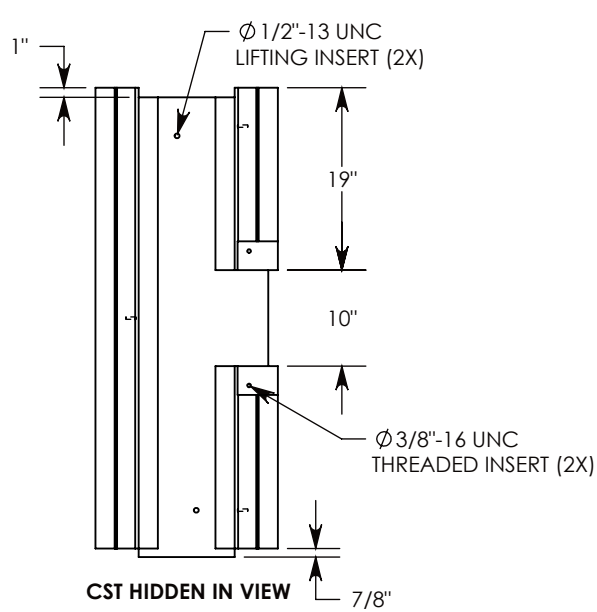


REV. A - RAL - 2/14/2018 - UPDATED THE COVER SUPPORT RAIL
 REV. B - SIC - 7/25/2019 - UPDATED VIEWS AND DIMENSIONS; ADDED 1/4" CABLE CLIP INSERTS



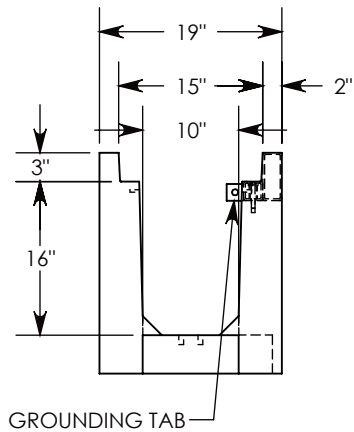
3/8-16 UNC X 2.50" LG HEX HD BOLT, GRADE 8
 P/N: HHB.38-2.5G8 QTY: 2

3/8" STD WASHER - 1" OD
 P/N: WSR.38-1 QTY: 2

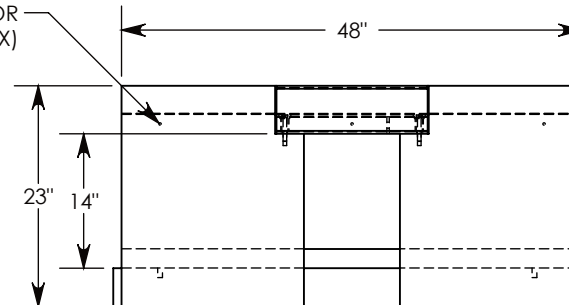
FRP TOP RAILS

REMOVABLE COVER
 SUPPORT RAIL
 P/N: CST-10

STEEL REINFORCED CONCRETE



Ø 1/4" INSERT FOR
 CABLE CLIPS (3X)



AASHTO H-20 RATED - 32,000 LB. SINGLE AXLE LOAD

DRAWN BY: ROSS LAGER

DATE: 7/25/2019

REVISION LEVEL: B

WEIGHT:

852 LBS.

MATERIAL:

NOTED

CONCAST
 1010 NORTH STAR DRIVE
 P.O. BOX 69
 ZUMBROTA, MN 55992-0069

DESCRIPTION:

HEAVY TRAFFIC UNIVERSAL CHANNEL

DIMENSIONS ARE IN INCHES
 TOLERANCES:
 FRACTIONAL: ± 1/8"
 ANGULAR: ± 2°

CONTACT INFORMATION:
 EMAIL: INFO@CONCASTINC.COM
 PHONE: (507) 732-4095
 FAX: (507) 732-4094

SHEET 1 OF 1

PART NUMBER:

HTFU1016 (10X0)